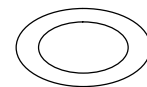
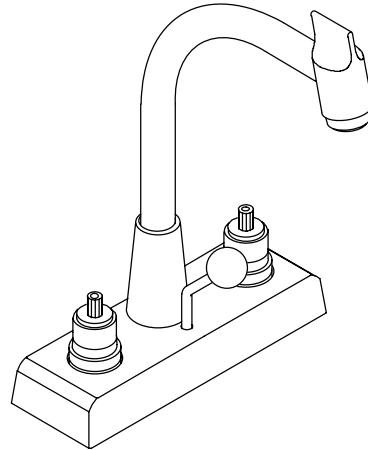


**LAVATORY BASE FAUCET
K-7412-K**

FEATURES

- Brass construction
- For 4" centers
- Brass valve bodies
- Quarter-turn washerless ceramic disc valves
- 5-3/8" Multi-Swivel™ swing spout
- Rotating aerator
- 2.0 gallons per minute
- Pop-up drain with lift rod and tailpiece
- Variety of handle style options



CODES/STANDARDS APPLICABLE

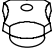



Specified model meets or exceeds the following:

- ASME/ANSI A112.18.1M
- Energy Policy Act of 1992
- IAPMO/UPC

COLORS/FINISHES

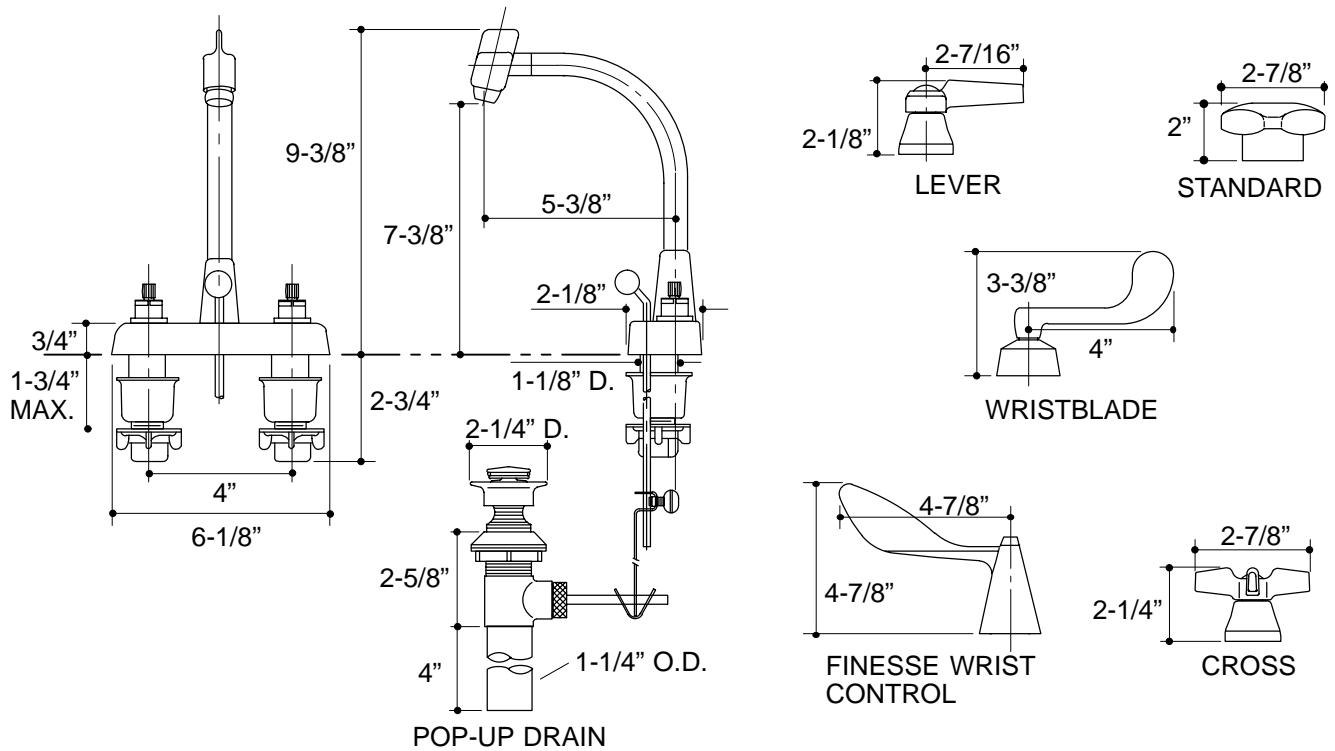
- CP Polished Chrome
- PB Polished Brass

SPECIFIED MODEL: For complete faucet, both base faucet and handle choice must be specified.

Model	Description				
K-7412-K	Triton/Finesse Centerset Lavatory Base Faucet		<input type="checkbox"/> CP		<input type="checkbox"/> PB
Required Accessory (Includes Two Handles)					
K-16010-2	Triton Standard Handles	<input type="checkbox"/> CP			
K-16010-3	Triton Cross Handles		<input type="checkbox"/> CP		
K-16010-4	Triton Lever Handles			<input type="checkbox"/> CP	
K-16010-5	Triton Wristblade Lever Handles				<input type="checkbox"/> CP
K-16050-5	Finesse Wrist Control Lever Handles				<input type="checkbox"/> CP <input type="checkbox"/> PB

PRODUCT SPECIFICATION:

Two-handle centerset lavatory base faucet shall be of brass construction. Faucet shall feature brass valve bodies. Faucet shall feature quarter-turn washerless ceramic disc valves, assuring positive handle stop positioning. Product shall include 4" centers, 5-3/8" Multi-Swivel swing spout, rotating aerator, and pop-up drain with lift rod and tailpiece. Base faucet shall be Kohler Model K-7412-K-_____ and handles shall be K-_____-_____-_____.



316

PRODUCT DIAGRAM