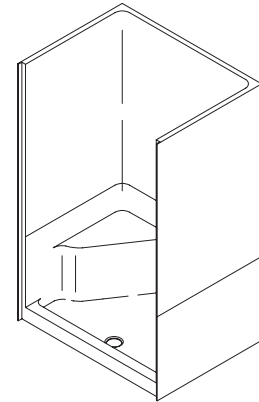


### SHOWER MODULE

# K-1577, K-1578

### FEATURES

- 48" x 36" x 76-1/2"
- Fiberglass (FRP)
- Left or right corner seat
- Integral ledge
- Two-piece design for remodeling installations



### CODES/STANDARDS APPLICABLE

Specified model meets or exceeds the following:

- ANSI Z124.2
- IAPMO/UPC
- Canadian Standards Association (CSA)
- State of Massachusetts

### COLORS/FINISHES

- 0 White
- Other Refer to Fixtures Price Book for additional colors

#### Accessories:

- 0 White
- CP Polished Chrome
- PB Polished Brass
- SH Bright Silver
- BH Bright Brass
- Other Refer to Faucets Price Book for additional finishes

### SPECIFIED MODEL:

Model	Description	Colors/Finishes	
K-1577	Shower module with left corner seat	<input type="checkbox"/> 0 White	<input type="checkbox"/> Other _____
K-1578	Shower module with right corner seat	<input type="checkbox"/> 0 White	<input type="checkbox"/> Other _____

Recommended Accessories				
K-9132	Drain	<input type="checkbox"/> CP	<input type="checkbox"/> PB	<input type="checkbox"/> Other _____
K-701112	Focal bypass shower door* <b>OR</b>	<input type="checkbox"/> SH	<input type="checkbox"/> BH	<input type="checkbox"/> 0 White
K-701122	Focal bypass shower door* <b>OR</b>	<input type="checkbox"/> SH	<input type="checkbox"/> BH	<input type="checkbox"/> 0 White
K-703024	Forum™ bypass shower door* <b>OR</b>	<input type="checkbox"/> SH	<input type="checkbox"/> BH	<input type="checkbox"/> 0 White
K-704014	Helios™ 4-panel shower door*	<input type="checkbox"/> SH	<input type="checkbox"/> BH	<input type="checkbox"/> 0 White

\* Refer to Fixtures Price Book for glass options.

### PRODUCT SPECIFICATION:

The two-piece shower module shall be 48" in length, 36" in width, and 76-1/2" in height. Shower module shall be made of fiberglass (FRP). Shower module shall have a corner seat left or right. Shower module shall have integral ledge. Shower module shall be Kohler Model K-\_\_\_\_\_-\_\_\_\_\_.

# CANCUN™ II

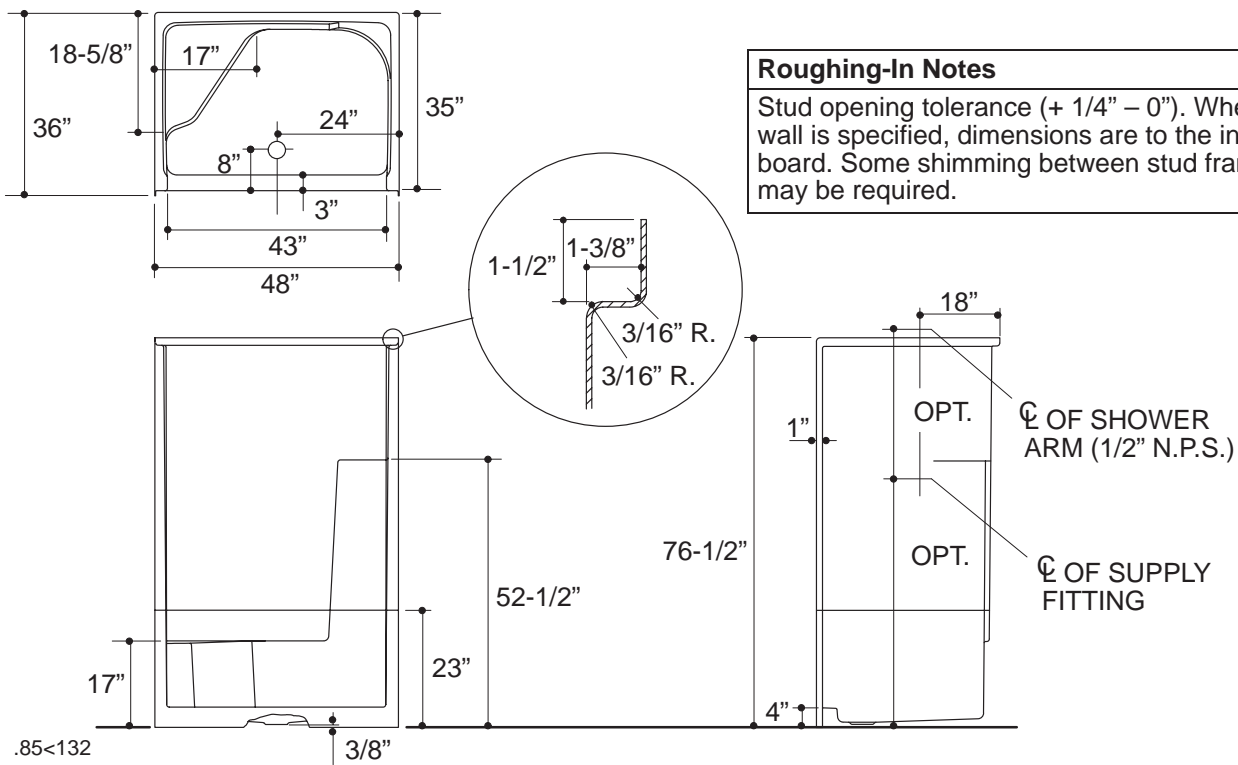
## PRODUCT INFORMATION

Fixture:	
Weight	114 lbs.
Configuration	2-piece
Drain Outlet	3-3/8" D.

## INSTALLATION NOTES

Fixture not drilled for supply fittings.

Shimming may be required to level fixture.



## PRODUCT DIAGRAM