

### Ordering Information

Accessories/hardware:		
Drain	K-7169-AF	required
Undermount installation kit	K-586	optional
Adjustable feet	K-1172	optional
Vinyl tiling-in bead*	K-1179	optional

\*Use K-1179 vinyl bead when wall material contacts any top surface of bath.

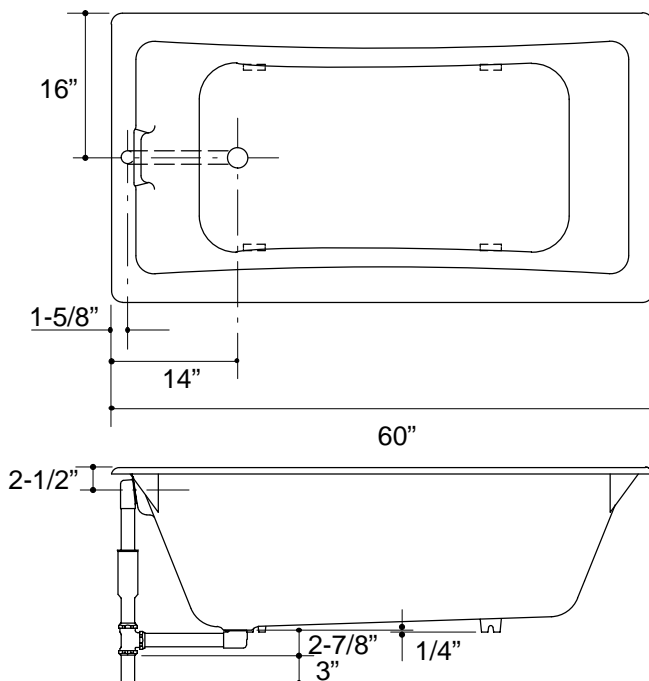
### Product Information

Fixture*:	basin area	top area	weight
Bathing well	40-1/2" x 20"	52-3/4" x 24"	250 lbs.
	water depth	capacity	
To overflow	13-5/8"	60 gal.	

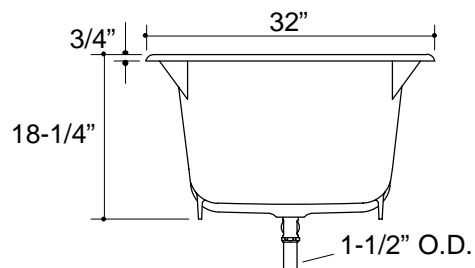
\* Approximate measurements for comparison only.

### Installation Notes

Refer to installation instructions included with fixture before beginning installation.



Roughing-In Notes	
Fixture dimensions are nominal and conform to tolerances in ANSI Standard A112.19.1.	
No change in measurements if connected with drain illustrated.	
Cut-out for drop-in	58-1/2" x 30-1/2"
Cut-out for undermount	K-586 template required



1.25>132