

For:ko41275

Printed on:Mon, Jun 28, 1999 11:19:04

Document:106355_1_ca__

Last saved on:Mon, Jun 28, 1999 10:41:44

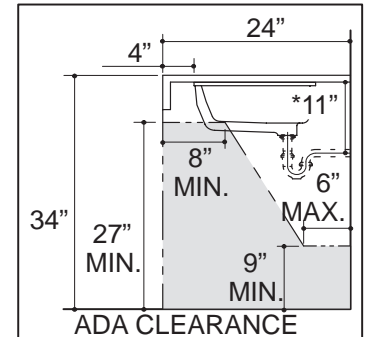
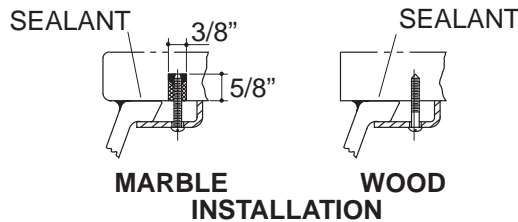
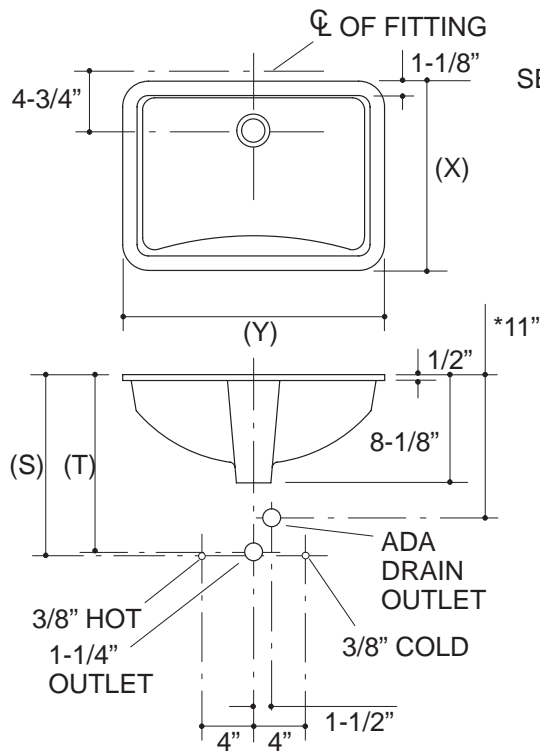
Ordering Information

Applicable product:		
18" x 12" lavatory	K-2214	shown
18" x 12" glazed underside	K-2214-G	shown
21" x 14" lavatory	K-2215	shown
Accessories/hardware:		
Trap	K-8998	recommended

Product Information

ADA compliant.			
Fixture*:		basin area	water depth
K-2214		18" x 12"	4-5/8"
K-2215		21" x 14"	4-5/8"
Outlet	1-3/4" D.		
* Approximate measurements for comparison only.			

Included Components:	
Adhesive sealant	63034
Basin clamp assembly	52047
Cutout template	106354-7



Roughing-In Notes

Fixture dimensions are nominal and conform to tolerances in ASME Standard A112.19.2M.

*Based on K-8998 with 1" of tailpiece exposed.

(T) Pop-up drain typically 13-3/4".

(S) 14" (Based on 12" riser which may require cutting).

Supplied basin clamp assemblies require 1" minimum countertop thickness. Installer must supply anchors for thinner countertops.

K-2214: (X)=14-1/4", (Y)= 20-1/4"

K-2215: (X)=16-1/4", (Y)= 23-1/4"

1.1>116