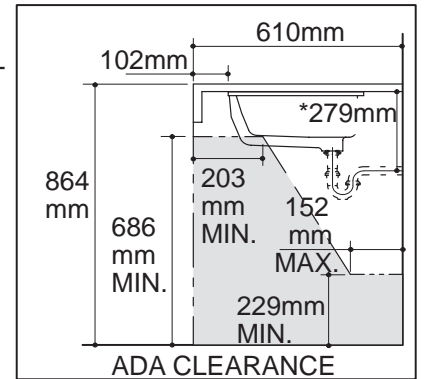
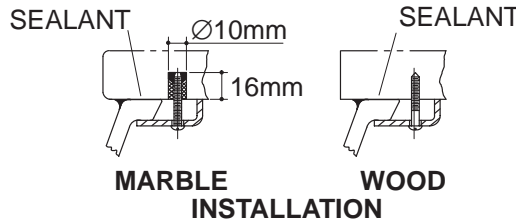
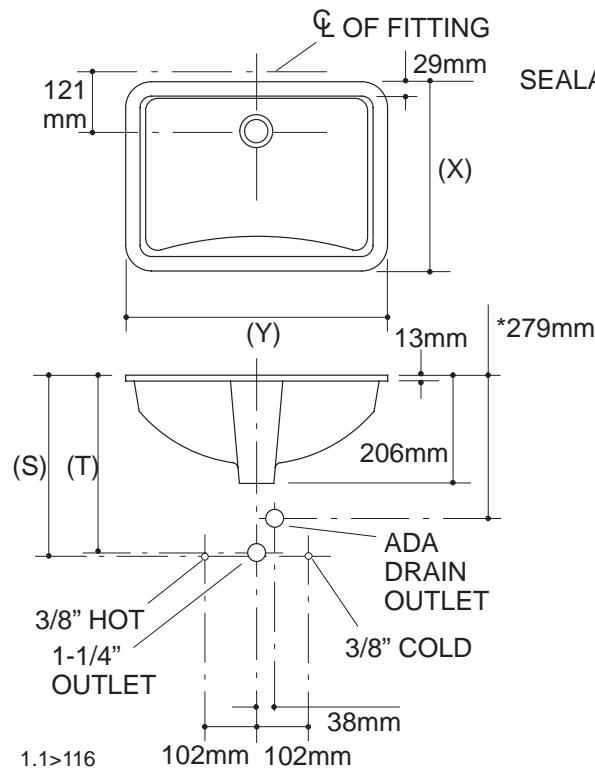


Ordering Information

Applicable product:		
457 x 305mm lavatory	K-2214	shown
457 x 305mm glazed underside	K-2214-G	shown
533 x 356mm lavatory	K-2215	shown
Accessories/hardware:		
Trap	K-8998	recommended

Product Information

ADA compliant.			
Fixture*:		basin area	water depth
K-2214		457 x 305mm	117mm
K-2215		533 x 356mm	117mm
Outlet	Ø44mm		
* Approximate measurements for comparison only.			
Included Components:			
Adhesive sealant		63034	
Basin clamp assembly		52047	
Cutout template		106354-7	



Roughing-In Notes
Fixture dimensions are nominal and conform to tolerances in ASME Standard A112.19.2M.
*Based on K-8998 with 25mm of tailpiece exposed.
(T) Pop-up drain 349mm.
(S) 356mm (Based on 305mm riser which may require cutting).
Supplied basin clamp assemblies require 25mm minimum countertop thickness. Installer must supply anchors for thinner countertops.
K-2214: (X)=362mm, (Y)= 514mm
K-2215: (X)=413mm, (Y)= 591mm