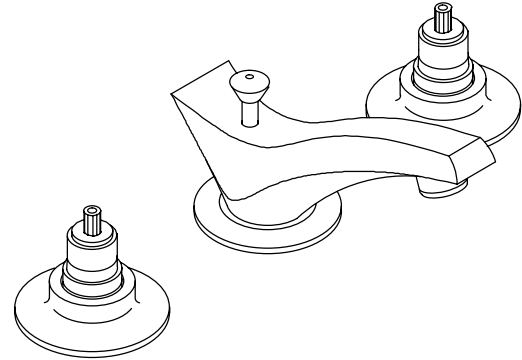


**LAVATORY BASE FAUCET
K-7439-K**

FEATURES

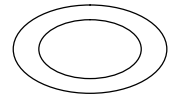
- Brass construction
- Flexible connections
- Brass valve bodies
- Quarter-turn washerless ceramic disc valves
- 3-7/8" wave spout
- Available with standard or vandal-resistant Water-Guard® aerator
- 2.0 gallons per minute
- Pop-up drain with lift rod and tailpiece
- Variety of handle style options



CODES/STANDARDS APPLICABLE

Specified model meets or exceeds the following:

- ASME/ANSI A112.18.1M
- CSA B125
- Energy Policy Act of 1992
- IAPMO/UPC
- NSF 61








COLORS/FINISHES

- CP Polished Chrome
- PB Polished Brass

SPECIFIED MODEL: For complete faucet, both base faucet and handle choice must be specified.

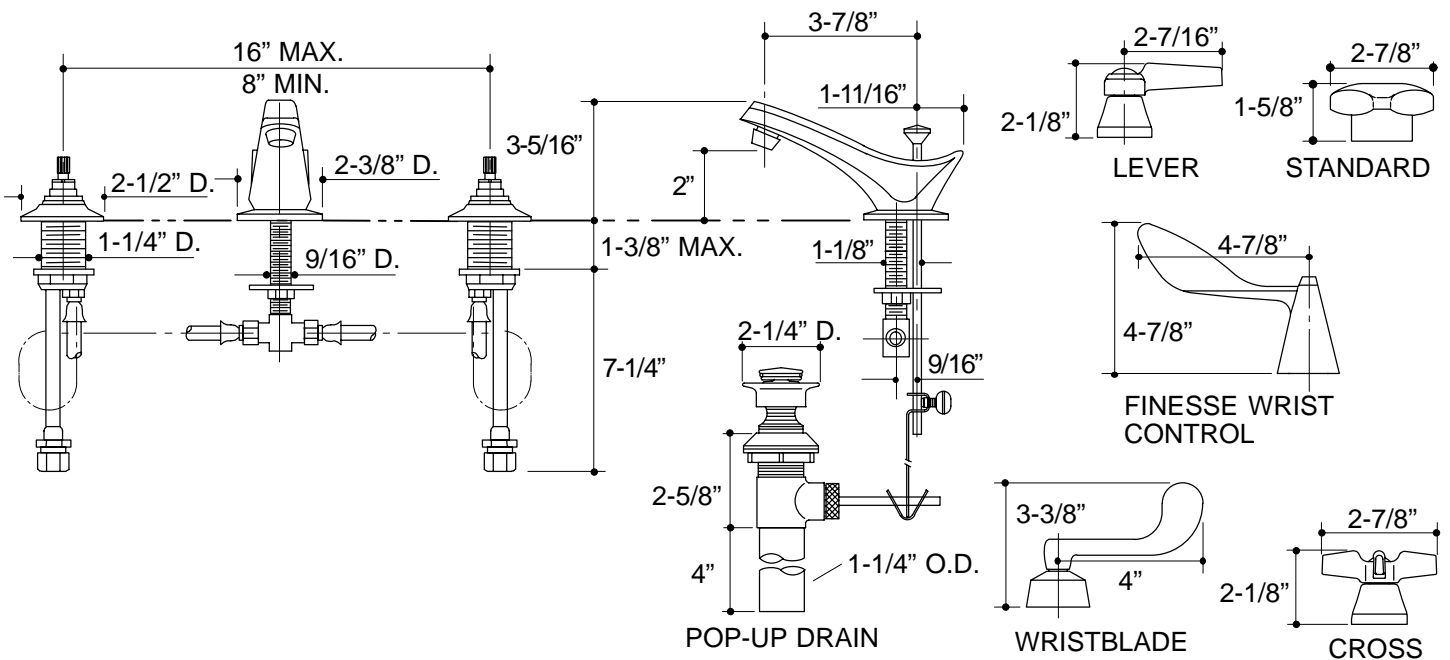
| Model | Description | | |
|-----------|-------------------------------|-----------------------------|-----------------------------|
| K-7439-K | With Standard Aerator | <input type="checkbox"/> CP | <input type="checkbox"/> PB |
| K-7439-KE | With Vandal-Resistant Aerator | <input type="checkbox"/> CP | |

| Handle Options (Includes Two Handles) | |  |  ADA |  ADA |  ADA |  ADA |
|--|-------------------------------------|---|--|---|---|---|
| K-16012-2 | Triton Standard Handles | <input type="checkbox"/> CP | | | | |
| K-16012-3 | Triton Cross Handles | | <input type="checkbox"/> CP | | | |
| K-16012-4 | Triton Lever Handles | | | <input type="checkbox"/> CP | | |
| K-16012-5 | Triton Wristblade Lever Handles | | | | <input type="checkbox"/> CP | |
| K-16022-5 | Finesse Wrist Control Lever Handles | | | | | <input type="checkbox"/> CP <input type="checkbox"/> PB |

PRODUCT SPECIFICATION:

Two-handle widespread lavatory base faucet shall be of brass construction. Faucet shall feature brass valve bodies. Faucet shall feature quarter-turn washerless ceramic disc valves, assuring positive handle stop positioning. Product shall include flexible connections, 3-7/8" wave spout, and pop-up drain with lift rod and tailpiece. Optional feature shall be standard or vandal-resistant Water-Guard aerator. Base faucet shall be Kohler Model K-7439-____-____ and handles shall be Kohler Model K-____-____-____.

TRITON™ /FINESSE™



316

PRODUCT DIAGRAM