

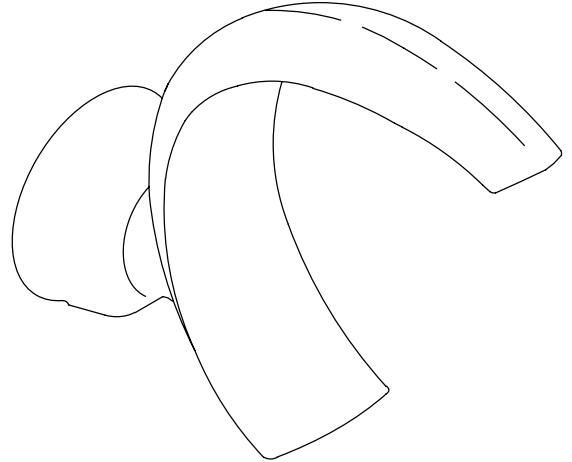
FEATURES

- Brass construction
- Wall-mount
- 7-1/8" Crescent non-diverter spout with N.P.T. connection

CODES/STANDARDS APPLICABLE

Specified model meets or exceeds the following:

- ASME/ANSI A112.18.1M
- NSF 14



COLORS/FINISHES

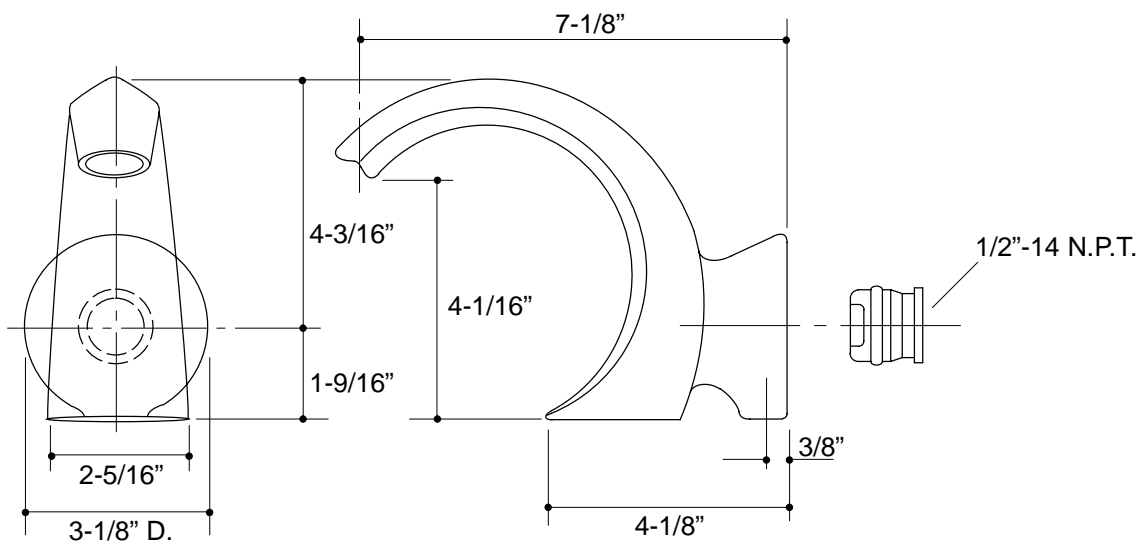
- CP Polished Chrome
- PB Polished Brass
- Other Refer to Faucets Price Book for additional finishes

SPECIFIED MODEL:

Model	Description			
K-6944	Crescent Non-Diverter Bath Spout	<input type="checkbox"/> CP	<input type="checkbox"/> PB	<input type="checkbox"/> Other_____

PRODUCT SPECIFICATION:

Wall-mount non-diverter bath spout shall be of brass construction. Product shall feature a 7-1/8" Crescent non-diverter bath spout with N.P.T. connection. Spout shall be Kohler Model K-6944-_____.



516

PRODUCT DIAGRAM