

**Ordering Information**

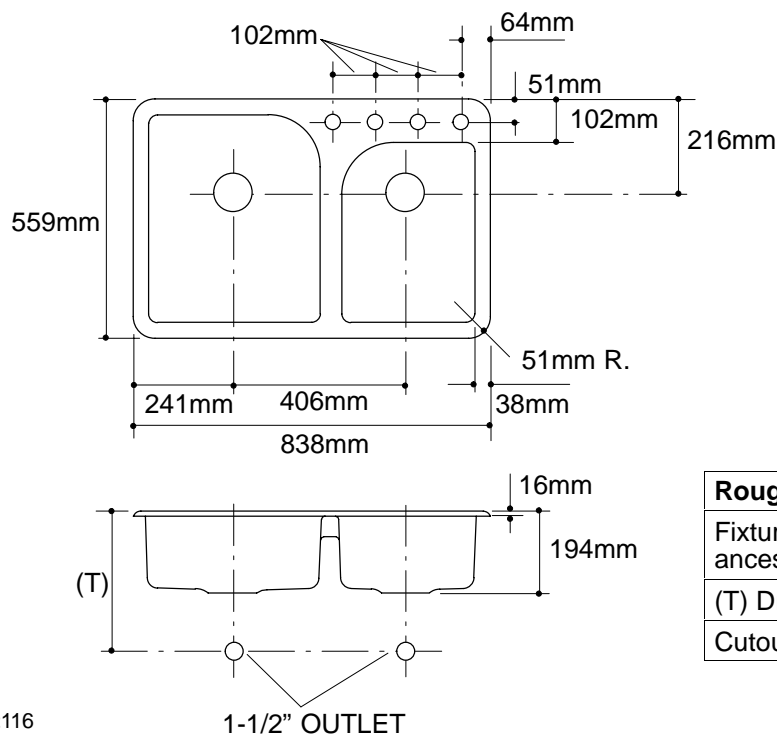
Applicable product:		
Four-hole sink	K-5948-4	optional
Accessories/hardware:		
Hardwood cutting board	K-5958	optional
Bottom basin rack	K-6000	optional
Wire rinse basket	K-6521	optional

**Product Information**

Fixture*:		basin area	water depth
Sink, small		305 x 406mm	171mm
Sink, large		406 x 483mm	171mm
Outlet	Ø98mm		
Faucet holes	Ø35mm		
* Approximate measurements for comparison only.			

**Installation Notes**

Refer to installation instructions included with fixture before beginning installation.



<b>Roughing-In Notes</b>	
Fixture dimensions are nominal and conform to tolerances in ASME/ANSI Standard A112.19.1M.	
(T) Drain typically 330mm.	
Cutout	806 x 527mm with 25mm radius corners.

.9<116