

Ordering Information

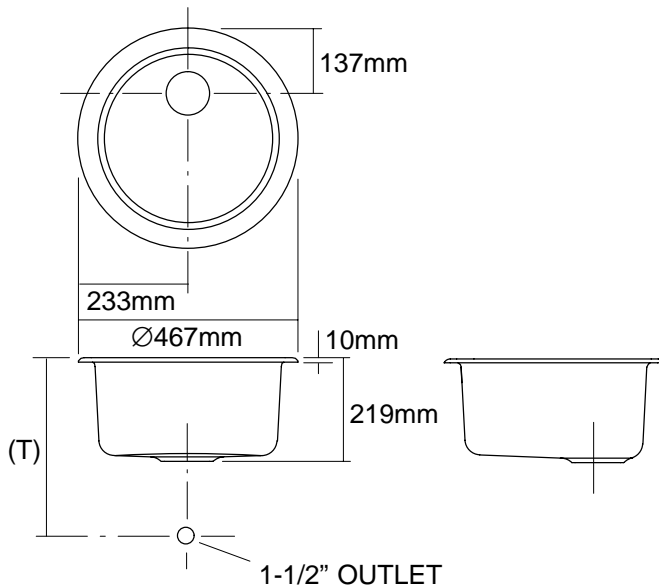
| | | |
|------------------------|--------|----------|
| Accessories/hardware: | | |
| Hardwood cutting board | K-6566 | optional |

Product Information

| | | | |
|---|-------|------------|-------------|
| Fixture*: | | basin area | water depth |
| Sink | | Ø381mm | 203mm |
| Outlet | Ø92mm | | |
| * Approximate measurements for comparison only. | | | |

Installation Notes

Refer to installation instructions included with fixture before beginning installation.



| | |
|--|--------|
| Roughing-In Notes | |
| Fixture dimensions are nominal and conform to tolerances in ASME/ANSI Standard A112.19.1M. | |
| (T) Drain typically 362mm. | |
| Cutout | Ø435mm |