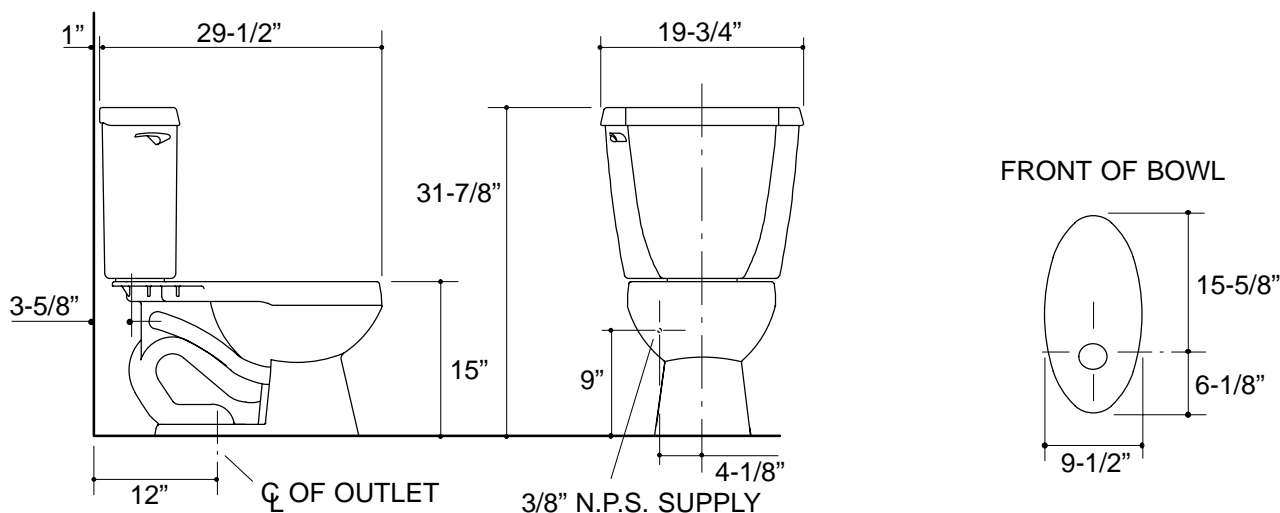


Ordering Information

Applicable product:		
Toilet with standard tank	K-3420	shown
Toilet with cover lock tank	K-3420-T	not shown
Toilet with insuliner tank	K-3420-U	not shown
Toilet with cover locks & insuliner tank	K-3420-UT	not shown
Toilet for commercial	K-3428	not shown
Accessories/hardware:		
3/8" supply	K-7637	recommended
Floor bolts (pr.)	21401	recommended
Seat, Lustra	K-4652	recommended
Seat, French curve	K-4653	recommended

Product Information

Fixture:	
Configuration	2-piece, elongated
Gallons per flush	1.6 gallons
Passageway for K-3420	1-3/4"
Passageway for K-3428	2"
Water depth from rim	6-3/4"
Seat post hole centers	5-1/2"
Included Components:	
Bowl for K-3420	K-4236
Bowl for K-3428	K-4256
Tank	K-4512
Tank cover	82869
Bolt cap accessory pack	52048
Tank accessory pack	73062
Trip lever	K-9404



Roughing-In Notes

Fixture dimensions are nominal and conform to tolerances in ASME Standard A112.19.2M.

.9<116

K-3420, K-3428 Wellworth™ Toilet
106531-1-AA (A)

KOHLER®