

# K-3420, K-3428



### FEATURES

- 12" rough-in
- Vitreous china
- Elongated bowl
- 1.6 gpf
- Includes polished chrome trip lever
- Combination toilet
- Less seat and supply
- 2" commercial trap (K-3428)
- With Insuliner® insulated tank lining (-U)
- With tank cover locks (-T)

### CODES/STANDARDS APPLICABLE

Specified model meets or exceeds the following:

- ASME/ANSI A112.19.2M
- ASME/ANSI A112.19.6M
- Energy Policy Act of 1992 (EPACT)
- IAPMO/UPC
- States of Connecticut, Massachusetts, New York, & Texas
- Cities of Los Angeles, CA; and New York, N.Y.

### COLORS/FINISHES

- 0 White
- Other Refer to Fixtures Price Book for additional colors

#### Accessories:

- 0 White
- CP Polished Chrome
- PB Polished Brass
- Other Refer to Price Book for additional colors

### SPECIFIED MODEL:

Model	Description	Colors/Finishes	
K-3420	Elongated bowl toilet	<input type="checkbox"/> 0 White	<input type="checkbox"/> Other_____
K-3420-U	Toilet with insuliner tank	<input type="checkbox"/> 0 White	<input type="checkbox"/> Other_____
K-3420-T	Toilet with tank cover locks	<input type="checkbox"/> 0 White	<input type="checkbox"/> Other_____
K-3428	Elongated bowl toilet (for commercial use)	<input type="checkbox"/> 0 White	<input type="checkbox"/> Other_____
K-3428-U	Toilet with insuliner tank (for commercial use)	<input type="checkbox"/> 0 White	<input type="checkbox"/> Other_____
K-3428-T	Toilet with tank cover locks (for commercial use)	<input type="checkbox"/> 0 White	<input type="checkbox"/> Other_____

#### Recommended Accessories

K-4652	Lustra™ seat with cover	<input type="checkbox"/> 0 White	<input type="checkbox"/> Other_____
K-4653	French Curve™ seat with cover	<input type="checkbox"/> 0 White	<input type="checkbox"/> Other_____
K-7637	Angle supply with stop	<input type="checkbox"/> CP <input type="checkbox"/> PB	<input type="checkbox"/> Other_____

#### Optional Accessories

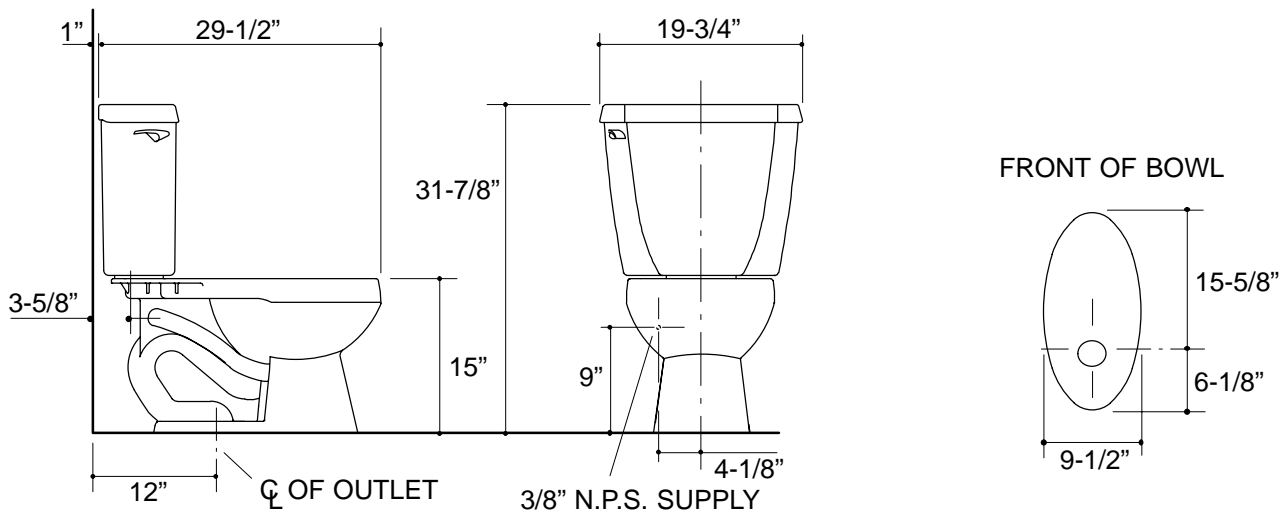
K-9404-L	Trip lever (non-CP)	<input type="checkbox"/> PB	<input type="checkbox"/> Other_____
----------	---------------------	-----------------------------	-------------------------------------

### PRODUCT SPECIFICATION:

The elongated toilet combination shall be 12" rough-in. Toilet shall be made of vitreous china. Toilet shall be 1.6 gpf. Toilet shall include polished chrome trip lever. Toilet shall be less seat and supply. Toilet shall have 2" commercial trap (K-3428). Toilet shall have Insuliner® insulated tank lining (-U). Toilet shall have tank cover locks (-T). Toilet shall be Kohler Model K-\_\_\_\_\_-\_\_\_\_\_.

## PRODUCT INFORMATION

Fixture:	
Configuration	2-piece, elongated
Gallons per flush	1.6 gallons
Passageway for K-3420	1-3/4"
Passageway for K-3428	2"
Water depth from rim	6-3/4"
Seat post hole centers	5-1/2"
Included Components:	
Bowl for K-3420	K-4236
Bowl for K-3428	K-4256
Tank	K-4512
Tank cover	82869
Bolt cap accessory pack	52048
Tank accessory pack	73062
Trip lever	K-9404



.9<116

## PRODUCT DIAGRAM