

Ordering Information

Accessories/hardware:		
Drain for drop-in	K-7158	recommended
Drain for free-standing	K-7159	recommended
Adjustable feet	K-1172	optional

Product Information

Fixture*:	basin area	top area	weight
Bathing well	44" x 24"	60" x 32"	485 lbs.
	water depth	capacity	
To overflow	15"	82 gal.	

* Approximate measurements for comparison only.

Included Components:	
Cutout template	106594-7

Installation Notes

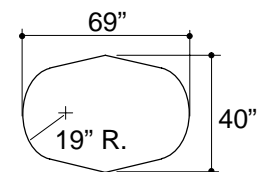
Refer to installation instructions included with fixture before beginning installation.

NOTICE: The floor must support 2,000 pounds. This is the combined weight of the bath, water, and two bathers. Pre-plan access for moving the bath into the construction area; the bath is heavy and will not fit easily through doorways.

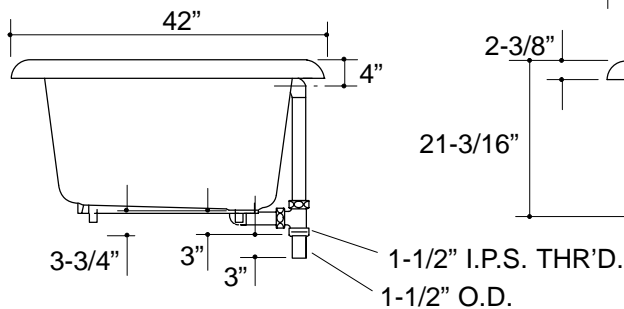
Roughing-In Notes

Fixture dimensions are nominal and conform to tolerances in ANSI Standard A112.19.1.

No change in measurements if connected with drain illustrated.



CUTOUT DETAIL



1.25>132

