

## Ordering Information

Accessories/hardware:		
Drain for drop-in	K-7158	recommended
Drain for free-standing	K-7159	recommended
Adjustable feet	K-1172	optional

## Product Information

Fixture*:	basin area	top area	weight
Bathing well	1118 x 610mm	1524 x 813mm	220 Kg.
	water depth	capacity	
To overflow	381mm	310 litres	
* Approximate measurements for comparison only.			
Included Components:			
Cutout template	106594-7		

## Installation Notes

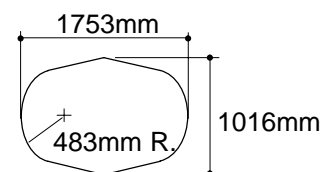
Refer to installation instructions included with fixture before beginning installation.

**NOTICE:** The floor must support 906 Kg. This is the combined weight of the bath, water, and two bathers. Pre-plan access for moving the bath into the construction area; the bath is heavy and will not fit easily through doorways.

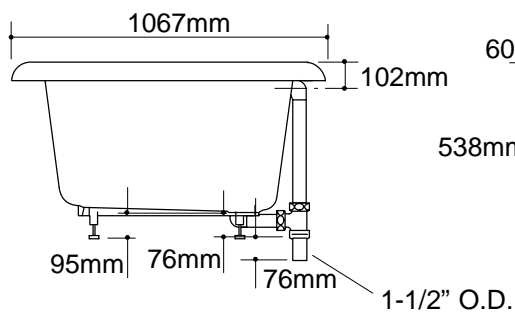
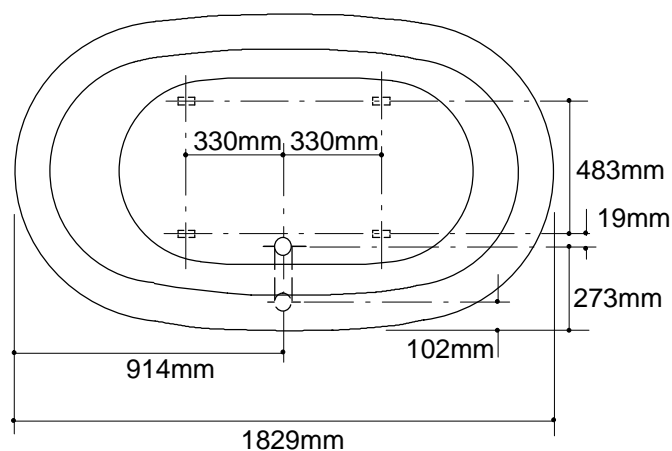
### Roughing-In Notes

Fixture dimensions are nominal and conform to tolerances in ANSI Standard A112.19.1.

No change in measurements if connected with drain illustrated.



CUTOUT DETAIL



1.25>132

**K-700** Vintage™ Bath  
106541-1M-AA (9631)

**KOHLER®**