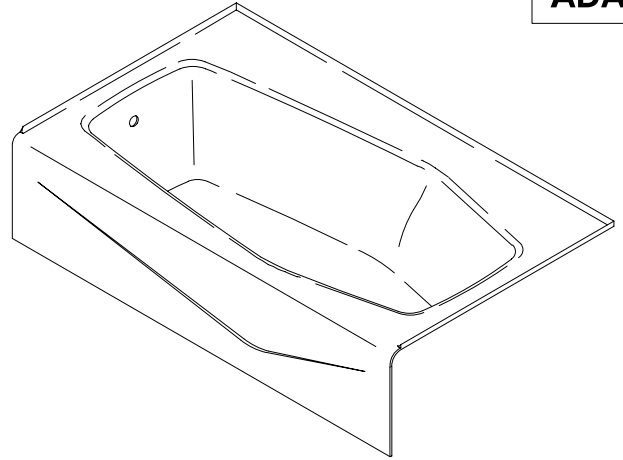


FEATURES

- 60" x 34-1/4" x 14"
- Cast iron with Safeguard® finish
- Extra 4" ledge
- Left or right outlet
- ADA compliant when installed with seat at head end

K-713, K-714

ADA



CODES/STANDARDS APPLICABLE

Specified model meets or exceeds the following:

- ADA
- ASME/ANSI A112.19.1M
- CABO/ANSI A117.1
- IAPMO/UPC
- State of Massachusetts

COLORS/FINISHES

- 0 White
- Other Refer to Fixtures Price Book for additional colors

Accessories:

- CP Polished Chrome
- PB Polished Brass
- Other Refer to Faucets Price Book for additional finishes

SPECIFIED MODEL:

Model	Description	Colors/Finishes	
K-713	Bath with outlet at left	<input type="checkbox"/> 0 White	<input type="checkbox"/> Other_____
K-714	Bath with outlet at right	<input type="checkbox"/> 0 White	<input type="checkbox"/> Other_____

Recommended Accessories			
K-7160-TF	Drain OR	<input type="checkbox"/> CP	<input type="checkbox"/> PB <input type="checkbox"/> Other_____
K-11660	Adjustable drain	<input type="checkbox"/> CP	<input type="checkbox"/> PB <input type="checkbox"/> Other_____

PRODUCT SPECIFICATION:

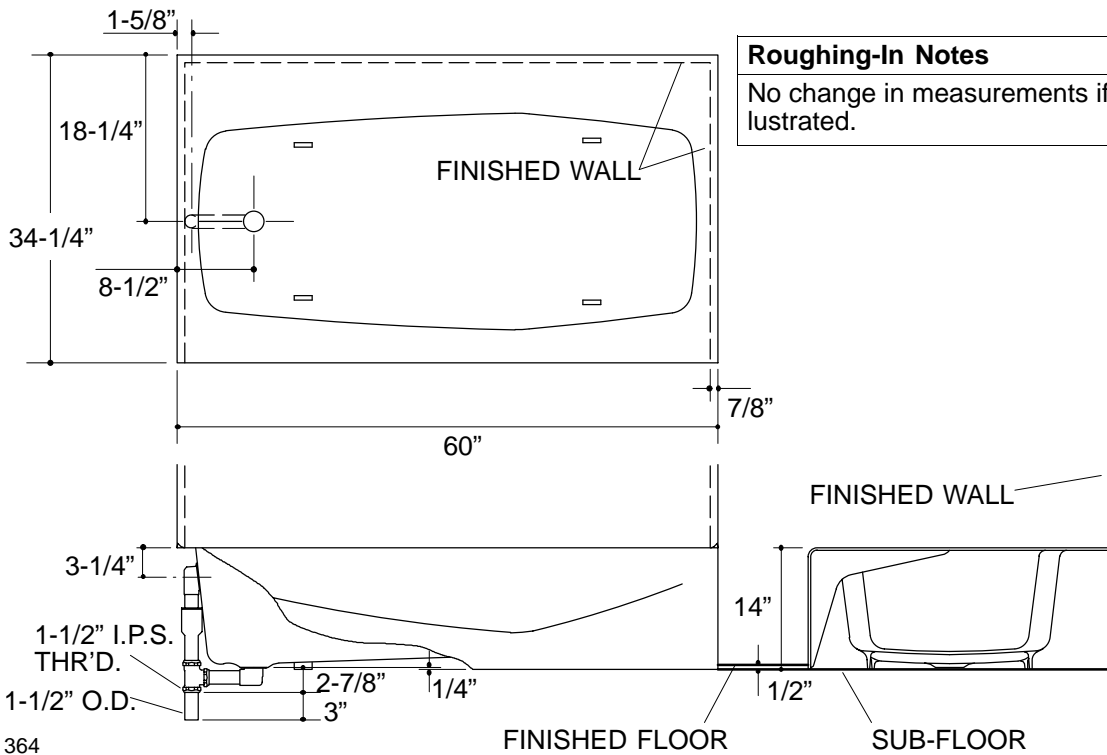
The bath shall be 60" in length, 34-1/4" in width, and 14" in height. Bath shall be made of cast iron with Safeguard® finish. Bath shall have an extra 4" ledge. Bath shall have an outlet at left or right. Bath shall be ADA compliant when installed with seat at head end. Bath shall be Kohler Model K-_____-_____.

VILLAGER™

PRODUCT INFORMATION

Fixture*:	basin area	top area	weight
Bathing well	45" x 22"	55" x 24"	330 lbs.
	water depth	capacity	
To overflow	8-5/8"	33 gal.	

* Approximate measurements for comparison only.



Roughing-In Notes

No change in measurements if connected with drain illustrated.

PRODUCT DIAGRAM