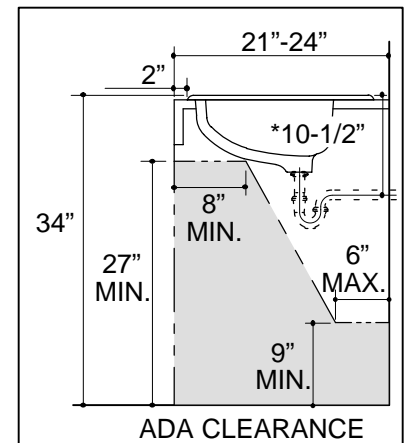
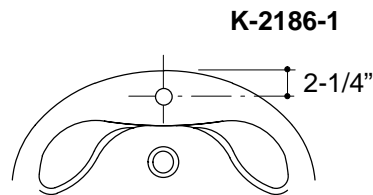
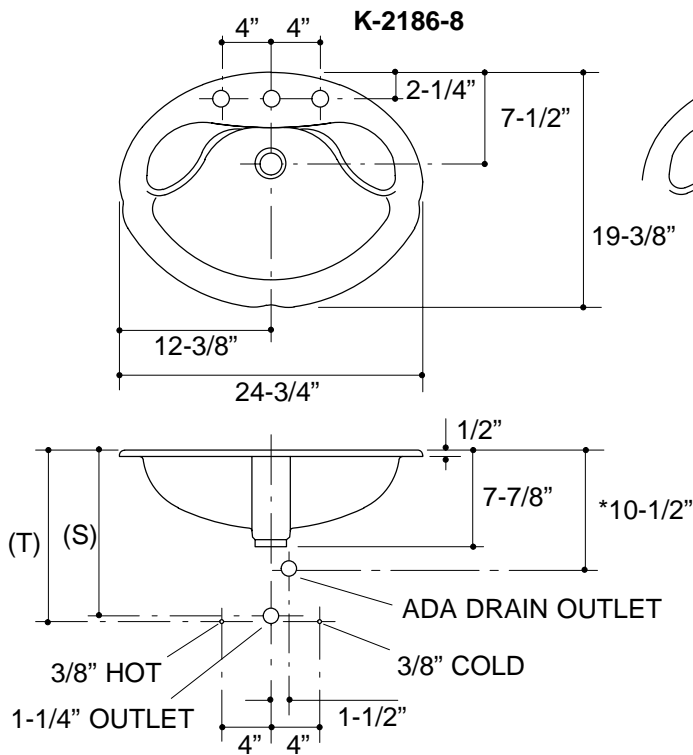


Ordering Information

Applicable product:		
Single hole lavatory	K-2186-1	not shown
8" centers lavatory	K-2186-8	shown
Accessories/hardware:		
Trap	K-8998	recommended

Product Information

ADA compliant.			
Fixture*:		basin area	water depth
Lavatory		19" x 13"	6-1/8"
Outlet	1-3/4" D.		
* Approximate measurements for comparison only.			
Holes	K-2186-1	K-2186-8	
Spout	1-3/8" D.	1-3/16" D.	
Faucet		1-3/8" D.	
Included Components:			
Adhesive sealant			63034
Cutout template			112365



Roughing-In Notes

Fixture dimensions are nominal and conform to tolerances in ASME Standard A112.19.2M.

*Based on K-8998 with 1" of tailpiece exposed.

(T) Pop-up drain 13-1/2", grid drain 11-3/4".

Supply (Based on 12" riser which may require cutting).	K-2186-1	K-2186-8
(S)	10"	14"