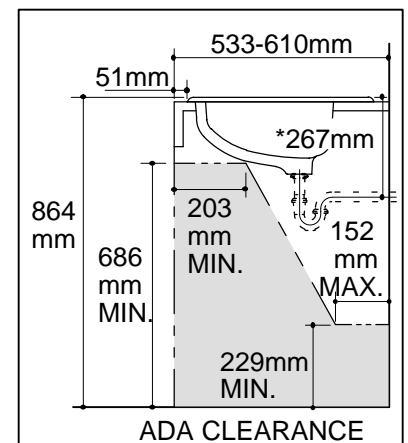
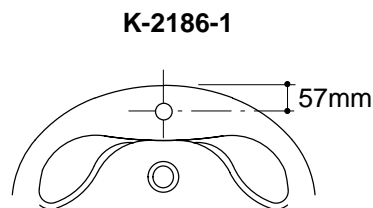
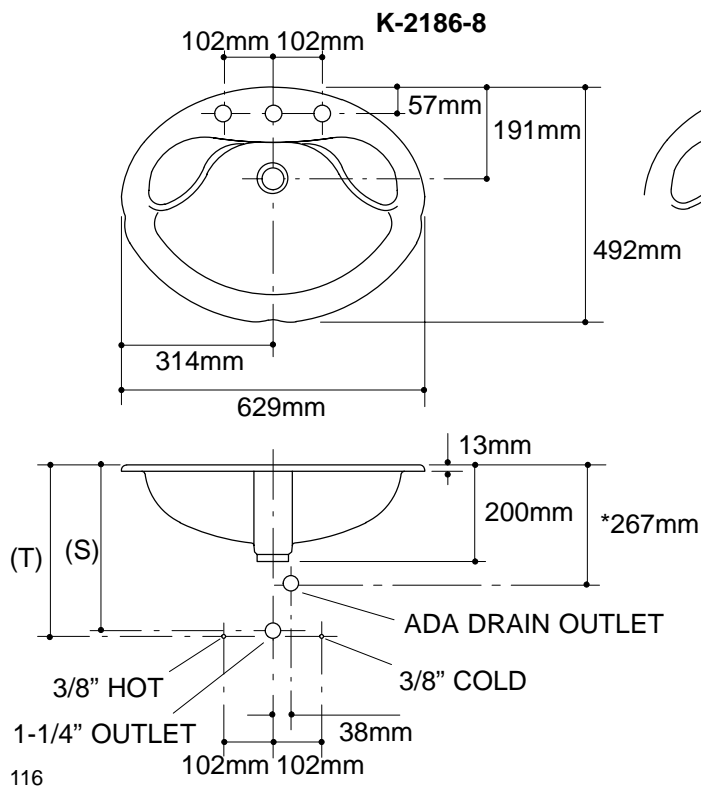


Ordering Information

Applicable product:		
203mm centers lavatory	K-2186-8	shown
Single hole lavatory	K-2186-1	not shown
Accessories/hardware:		
Trap	K-8998	recommended

Product Information

ADA compliant.			
Fixture*:		basin area	water depth
Lavatory		483 x 330mm	156mm
Outlet	Ø44mm		
* Approximate measurements for comparison only.			
Holes	K-2186-1	K-2186-8	
Spout	Ø35mm	Ø30mm	
Faucet		Ø35mm	
Included Components:			
Adhesive sealant			63034
Cutout template			112365



Roughing-In Notes

Fixture dimensions are nominal and conform to tolerances in ASME Standard A112.19.2M.

*Based on K-8998 with 25mm of tailpiece exposed.

(T) Pop-up drain 343mm, grid drain 298mm.

Supply (Based on 305mm riser which may require cutting).	K-2186-1	K-2186-8
(S)	254mm	356mm