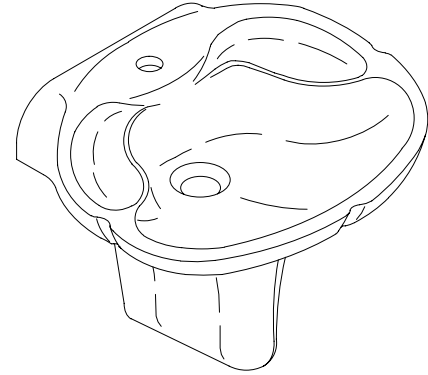


FEATURES

- 19-7/8" x 14-3/8"
- Vitreous china
- Wall-mount
- Single hole drilling
- Includes "P" trap



CODES/STANDARDS APPLICABLE

Specified model meets or exceeds the following:

- ASME/ANSI A112.19.2M

COLORS/FINISHES

- 0 White
- 96 Biscuit

Accessories:

- CP Polished Chrome
- Other Refer to Faucets Price Book for additional finishes

SPECIFIED MODEL:

Model	Description	Colors/Finishes	
K-2167-1	Single-hole lavatory	<input type="checkbox"/> 0 White	<input type="checkbox"/> 96 Biscuit

Recommended Accessories			
K-6763-7	Cygnets centerset lavatory faucet	<input type="checkbox"/> 0 White	
K-7605-P	Lavatory supplies 3/8" (pair)	<input type="checkbox"/> CP	<input type="checkbox"/> Other_____

PRODUCT SPECIFICATION:

The wall-mount lavatory shall be 19-7/8" in length, and 14-3/8" in width. Lavatory shall be made of vitreous china. Lavatory shall have single-hole drilling. Lavatory shall include "P" trap. Lavatory shall be Kohler Model K-2167-_____-_____.

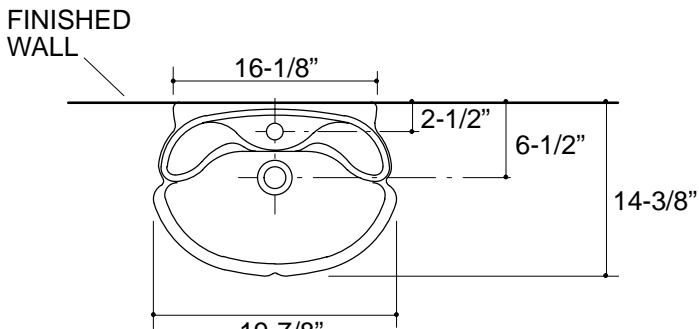
FLEUR

PRODUCT INFORMATION

Fixture*:		basin area	water depth
Lavatory		18" x 8"	4-1/2"
Outlet	1-3/4" D.		
* Approximate measurements for comparison only.			

Holes	K-2167-1		
Spout	1-3/8" D.		

Included Components:	
Lavatory basin	K-2168-1
Shroud	K-2169
Accessory pack	81603
Liftrod linkage assembly	82921
Rubber pads (10 each)	63069
P-trap	80024
Bolt accessory pack	55193

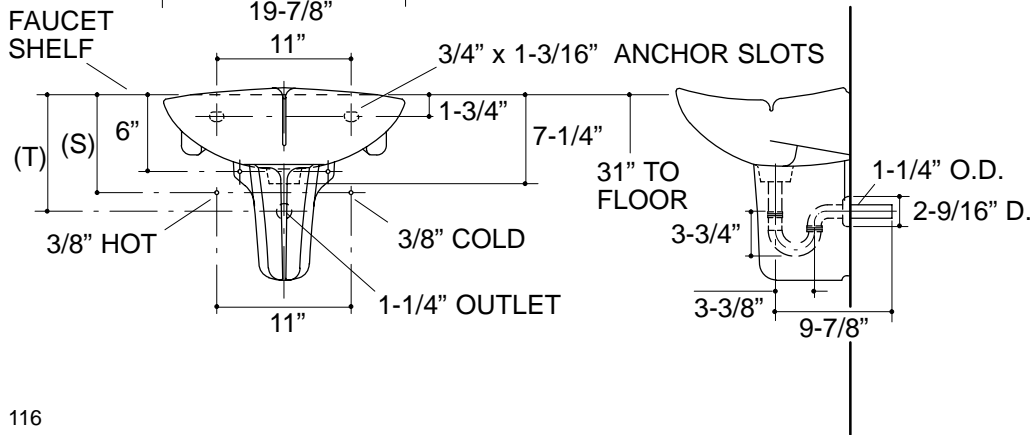


Roughing-In Notes

(T) Pop-up drain 9-1/2".

(S) 8" (Based on 12" riser which may require cutting).

Fixture MUST be installed with P-trap furnished with fixture.



116

PRODUCT DIAGRAM