

Ordering Information

Applicable product:		
4" drillings on left	K-2181-4	shown
4" drillings on right	K-2183-4	not shown
Single-hole on right	K-2183-1	not shown

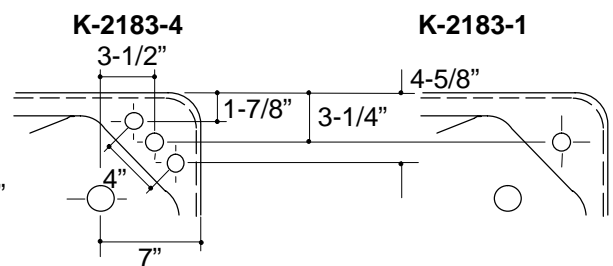
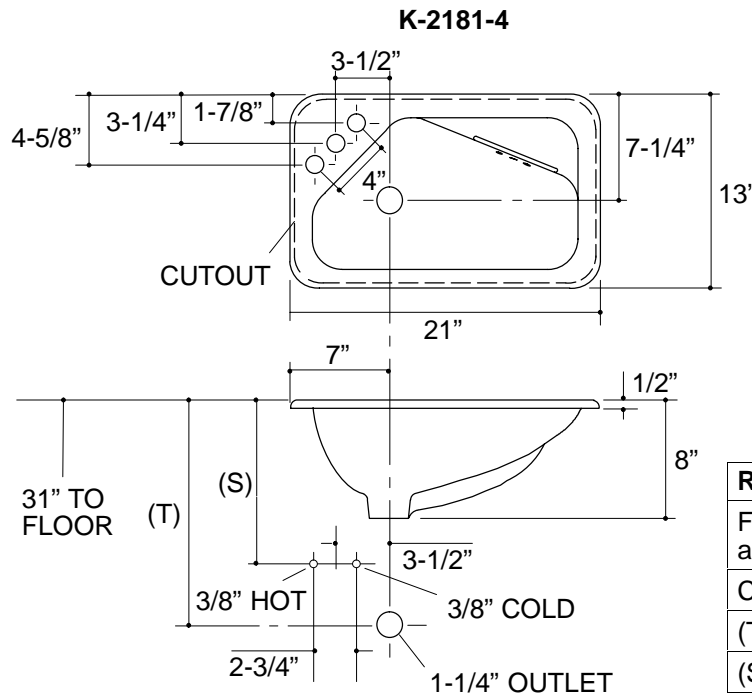
Product Information

Fixture*:		basin area	water depth
Lavatory		17" x 10"	4-3/8"
Outlet	1-3/4" D.		

* Approximate measurements for comparison only.

Holes	K-2181-4	K-2183-4	K-2183-1
Spout	1-3/16" D.	1-3/16" D.	1-3/8" D.
Faucet	1-3/16" D.	1-3/16" D.	

Included Components:	
Adhesive sealant	63034
Cutout template	110176



Roughing-In Notes

Fixture dimensions are nominal and conform to tolerances in ASME Standard A112.19.2M.

Cutout 19-3/8" x 11-5/8" with 1-1/2" radius corners.

(T) Pop-up drain 13-1/8", drain 12-1/4".

(S) 10" (Based on 12" riser which may require cutting).

1.1>116

K-2181, K-2183 Boutique™ Lavatory
106555-1-EA (-)

KOHLER®