

Ordering Information

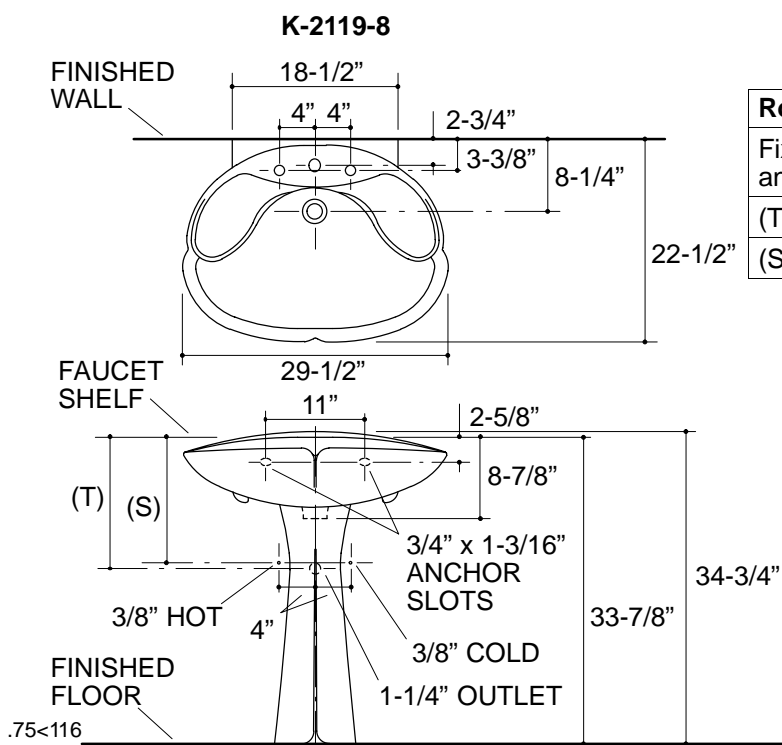
Applicable product		
8" centers lavatory	K-2119-8	shown
Single-hole lavatory	K-2119-1	not shown
Accessories/hardware:		
Cygnets faucet (single hole)	K-6763-XL	recommended
Cygnets faucet (8" centers)	K-6762-XL	recommended
Lavatory supplies, 3/8"	K-7605-P	recommended

Product Information

Fixture*:		basin area	water depth
Lavatory		27" x 16"	5"
Outlet	1-3/4" D.		
Faucet holes	1-3/16" D.		
Spout hole	1-3/8" D.		
* Approximate measurements for comparison only.			

Holes	K-2119-8	K-2119-1	
Spout	1-3/16" D.	1-3/8" D.	
Faucet	1-3/8" D.		

Included Components:	
Lavatory basin (single hole)	K-2178-1
Lavatory basin (8" centers)	K-2178-8
Pedestal	K-2114



Roughing-In Notes

Fixture dimensions are nominal and conform to tolerances in ASME Standard A112.19.2M.

(T) Pop-up drain 14-1/2".

(S) 14" (Based on 12" riser which may require cutting).

