

Ordering Information

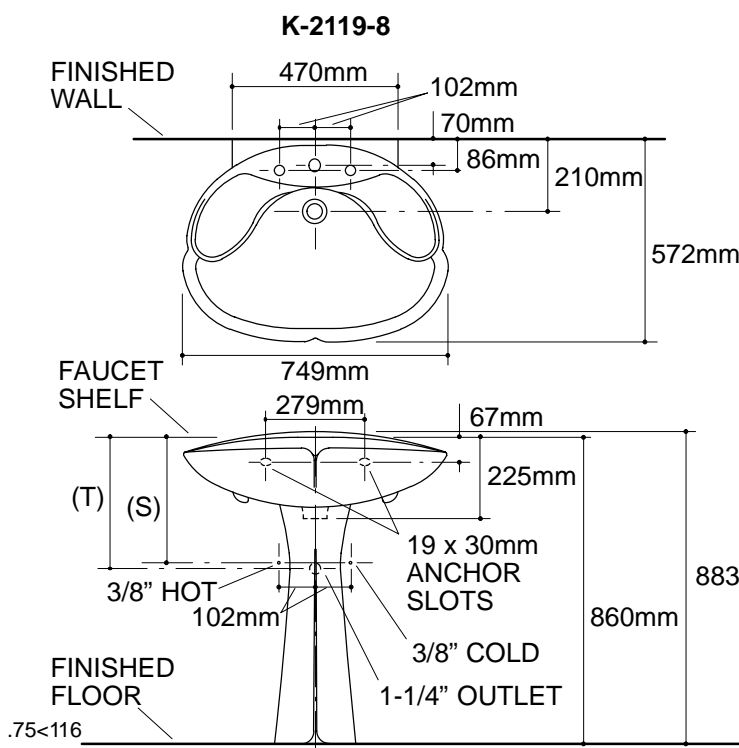
Applicable product		
203mm centers lavatory	K-2119-8	shown
Single-hole lavatory	K-2119-1	not shown
Accessories/hardware:		
Cygnnet faucet (single hole)	K-6763-XL	recommended
Cygnnet faucet (203mm centers)	K-6762-XL	recommended
Lavatory supplies, 3/8"	K-7605-P	recommended

Product Information

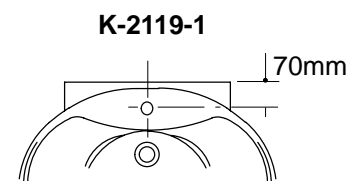
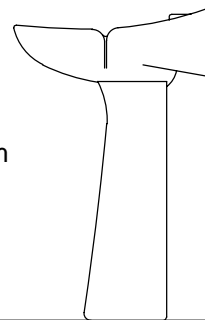
Fixture*:		basin area	water depth
Lavatory		686 x 406mm	127mm
Outlet	Ø44mm		
* Approximate measurements for comparison only.			

Holes	K-2119-8	K-2119-1	
Spout	Ø30mm	Ø35mm	
Faucet	Ø35mm		

Included Components:	
Lavatory basin (single hole)	K-2178-1
Lavatory basin (203mm centers)	K-2178-8
Pedestal	K-2114



Roughing-In Notes
Fixture dimensions are nominal and conform to tolerances in ASME Standard A112.19.2M.
(T) Pop-up drain 368mm.
(S) 356mm (Based on 305mm riser which may require cutting).



K-2119 Fleur Lavatory
106556-1M-BA (-)