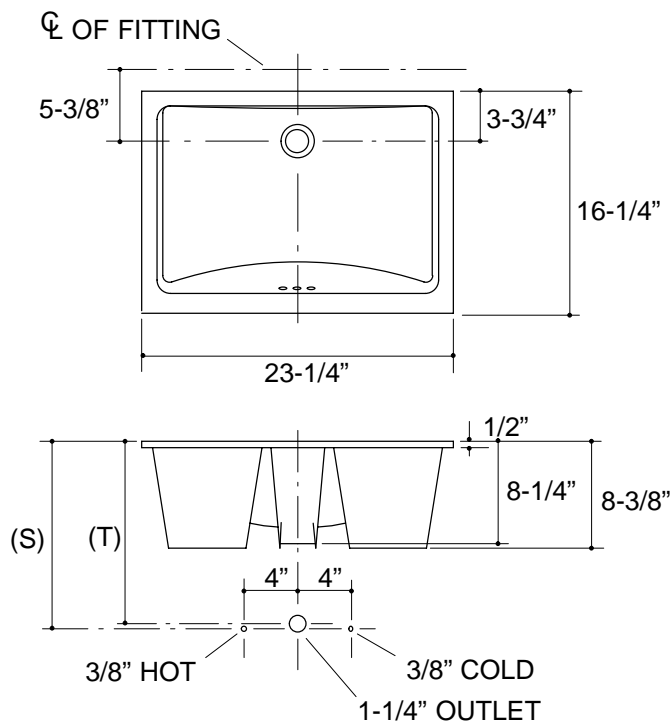


### Ordering Information

Accessories/hardware:		
Trap	K-8998	recommended

### Product Information

Fixture*:		basin area	water depth
Lavatory		21" x 14"	4-7/8"
Outlet	1-3/4" D.		
* Approximate measurements for comparison only.			
Included Components:			
Adhesive sealant		63034	
Cutout template		110281	



#### Roughing-In Notes

Fixture dimensions are nominal and conform to tolerances in ASME Standard A112.19.2M.

(T) Pop-up drain typically 13-5/8".

(S) 14" (Based on 12" riser which may require cutting).

4-5/8" minimum faucet spout length needed to reach over rim into basin.

1.15>116

**K-2216** Ladena™ Lavatory  
106559-AA (9501)

# KOHLER®