

Ordering Information

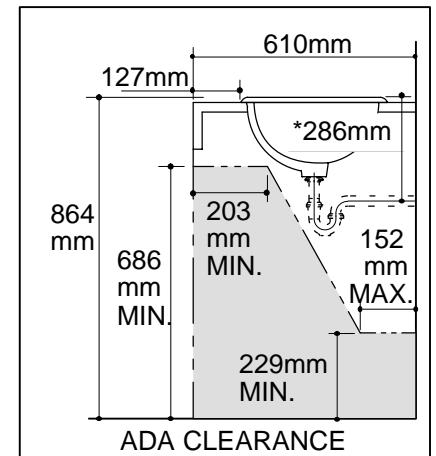
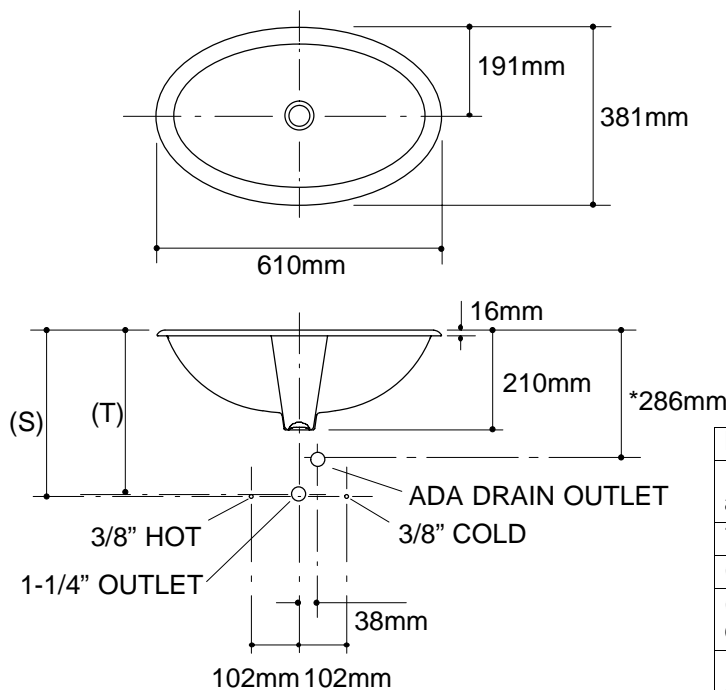
Accessories/hardware:		
Trap	K-8998	recommended
Wood rim	K-2218	optional

Product Information

ADA compliant.			
Fixture*:		basin area	water depth
Lavatory		533 x 305mm	124mm
Outlet	Ø44mm		

* Approximate measurements for comparison only.

Included Components:	
Adhesive sealant	63034
Adjustable linkage	40372
Cutout template	110359



Roughing-In Notes
Fixture dimensions are nominal and conform to tolerances in ASME Standard A112.19.2M.
*Based on K-8998 with 25mm of tailpiece exposed.
(T) Pop-up drain 351mm.
(S) 356mm (Based on 305mm riser which may require cutting).
117mm minimum faucet spout length needed to reach over rim into basin.