

Ordering Information

Applicable product:		
Left controls	K-12455	shown
Right controls	K-12456	not shown
Accessories/hardware:		
Drain	K-9132	recommended
Persona™ shower	K-9674	recommended*
Taboret® Rite-Temp™ faucet with lever handle	K-8226-4	recommended
* Dimensions illustrated		

Product Information

Fixture:	
Weight	72 Kg.
Configuration	1-piece
Drain Outlet	Ø83mm

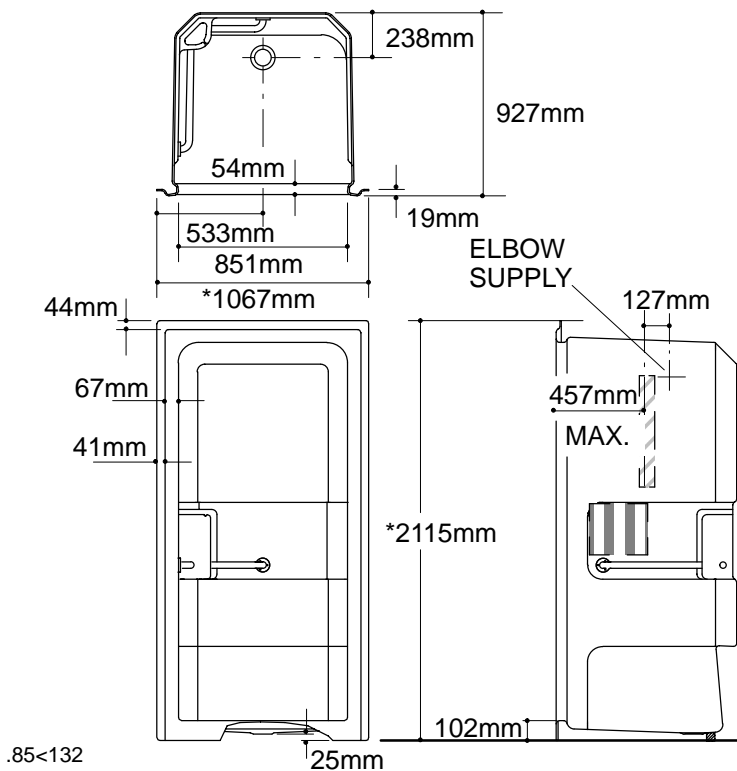
Installation Notes

Refer to installation instructions included with fixture before beginning installation.

Fixture not drilled for supply fittings.

Shimming may be required to level fixture.

For optimum accessibility, specify faucets and fittings to install and operate within the control area shown.



Roughing-In Notes

Fixture dimensions are nominal and conform to tolerances in ANSI Standard Z124.2.

*Recess opening must be 1067 x 2115mm.

Stud opening tolerance (+ 6mm – 0mm). When fire rated wall is specified, dimensions are to the inside of the wall board. Some shimming between stud frame and fixture may be required.

Provide clear floor space per ANSI A117.1, and as shown.

	Represents control area for faucets.
	Represents 610mm wall mount slide bar.
	Represents clear floor space for 914 x 1524mm side entrance.
	Represents clear floor space for 1219 x 1524mm front entrance.

.85<132