

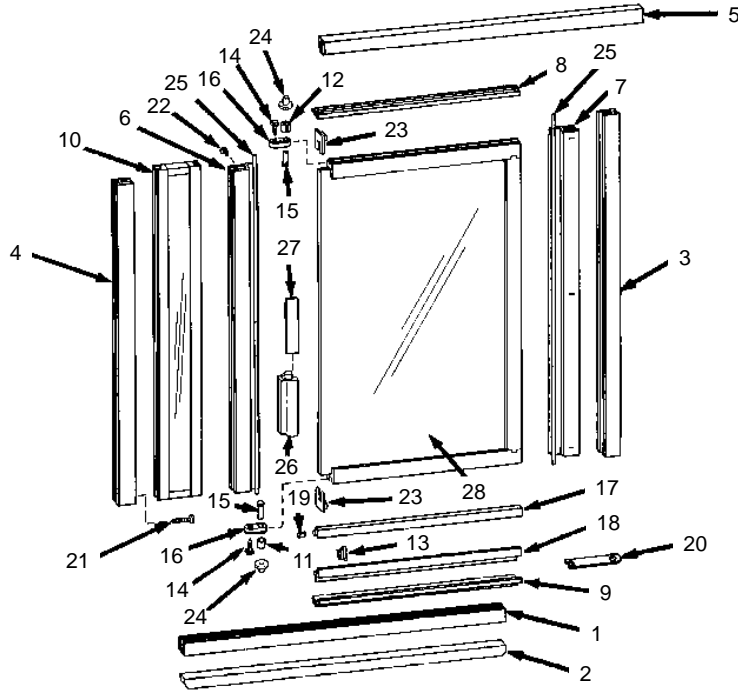
K-9891

GLASSWORKS™ FRAMED PIVOT SHOWER DOOR

ORDER BY KIT NUMBER OR PART NUMBER, NOT ITEM NUMBER OR KIT LETTER.

Ordering Options

Item	Part No. or Kit
1	62361‡
2	62774‡
3	62359‡
4	62358‡
5	62362‡
6	62354‡
7	62355‡
8	62356
9	62357
10	A
11	B
12	C
13	D
14	E
15	F
16	G
17	62336
18	H
19	I
20	J
21	K
22	L
23	M
24	N
25	O
26	P
27	Q
28	A



FRAMED GLASS CHART "A"

Description

Kit or Part No.

Glass Panel Filler
Framed Glass Door

Obscure (-B)

62347 -B‡
62348 -B‡

Designer (-D)

62347 -D‡
62348 -D‡

Kit Ordering Information

Kit	Kit Part No.	Kit Name	Kit Contents
A	—	Glass Panel/Glass Door	See Glass Chart "A" above
B	62322	Pivot Spacer	10 ea., Item 11
C	62300	Split Spacer	10 ea., Item 12
D	62328	Wiper Clip	10 ea., Item 13
E	62320	Set Screw	5 ea., Item 14
F	62313	Pivot Pin	5 ea., Item 15
G	62331	Slide Bar	5 ea., Item 16
H	62319	Wiper Seal 60°	1 ea., Item 18
I	62302	Drip Plug	5 ea., Item 19
J	62301	Pivot Door Wrench	5 ea., Item 20
K	62308 ‡	Truss Head Screw (#8 x 1-1/2")	20 ea., Item 21
L	62317 ‡	Truss Head Screw	10 ea., Item 22
M	62530	Rail End Cap Kit	10 ea., Item 23
N	62329	Nylon Bushing	10 ea., Item 24
O	66911	Strike Jam Seal	1 ea., Item 25
P	62314 ‡	Door Handle (Includes Magnet)	1 ea., Item 26
Q	62323	Rubber Pad	5 ea., Item 27

KITS MAY INCLUDE EXTRA PARTS

NOTES:

LEGEND:

‡ Specify Finish.