

KOHLER® SERVICE PARTS

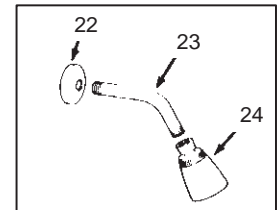
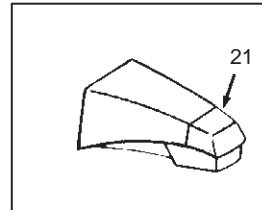
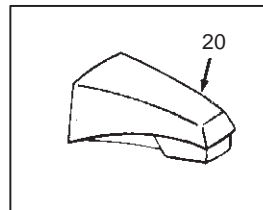
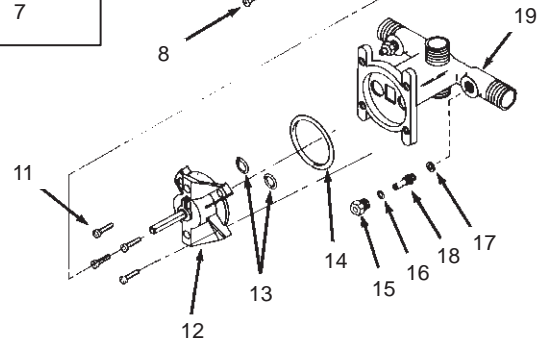
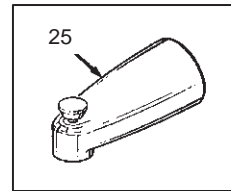
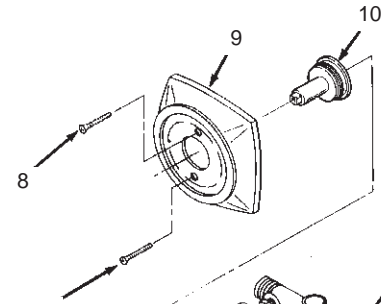
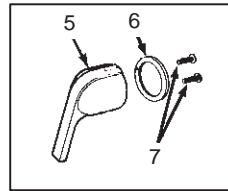
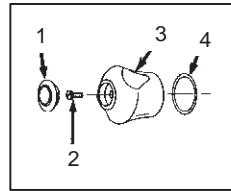
BATH AND SHOWER FITTINGS

K-15101 CORALAIS BATH AND SHOWER MIXING VALVE

ORDER BY KIT NUMBER OR PART NUMBER, NOT ITEM NUMBER OR KIT LETTER.

Ordering Options

Item	Part No. or Kit
1	B, 71841‡
2	A, B
3, 4	B
5, 6	C
7	C, A
8	A
9	30321‡
10	30317
11	A
12	D
13, 14	D, E
15	F
16, 17	F, G
18	F
19	*
20	H or I
21	J or K
22	20429‡
23	51410‡
24	30120‡
25	L



Kit Ordering Information

Kit	Kit Part No.	Kit Name	Kit Contents
A	30315 ‡	Screw Kit	1 ea., Item 2; 2 ea., Items 7 and 8; 4 ea., Item 11
B	30316	Handle Kit	1 ea., Items 1 thru 4
C	71904 ‡	Lever Handle Kit	1 ea., Items 5 and 6; 2 ea., Item 7
D	30318	Valve Kit	1 ea., Items 12 and 14; 2 ea., Item 13
E	71541	Valve Service Kit	2 ea., Item 13; 1 ea., Item 14
F	71944	Stop Stem Kit	1 ea., Items 15 thru 18
G	71943	Stop Repair Kit	2 ea., Items 16 and 17
H	70444 ‡	Spout (Slip Fit 5/8" O.D. Copper)	1 ea., Item 20
I	70445 ‡	Spout (1/2" I.P. Connection)	1 ea., Item 20
J	70446 ‡	Diverter Spout (Slip Fit 5/8" O.D. Copper)	1 ea., Item 21
K	70447 ‡	Diverter Spout (1/2" I.P. Connection)	1 ea., Item 21
L	20391 ‡	Diverter Spout (1/2" I.P. Connection)	1 ea., Item 25

KITS MAY INCLUDE EXTRA PARTS

NOTES:

Other Product Numbers Using Same Parts:
 K-15103 K-15122 K-15112 K-15107 K-15126
 K-15110 K-15128 K-15120 K-15114
 K-15116 K-15105 K-15124 K-15121

* Not available as a service part.

LEGEND:

‡ Specify Finish.