

KOHLER[®] SERVICE PARTS

BATH ACCESSORIES

CYGNET ACCESSORIES

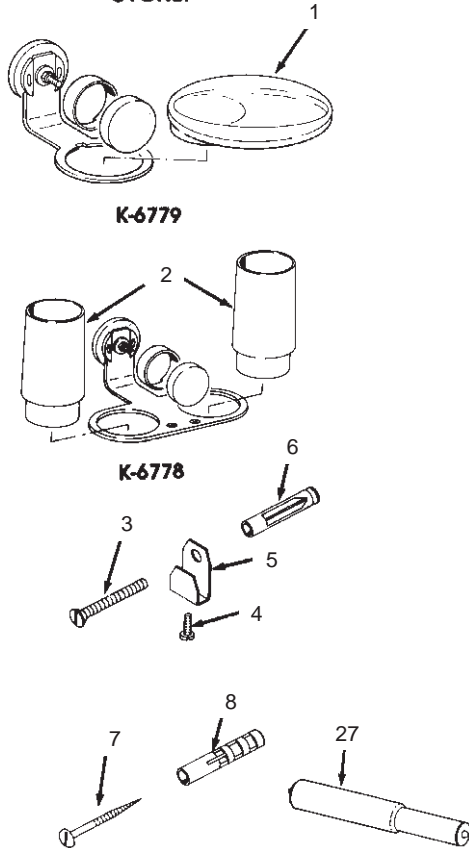
K-6773	K-6774	K-6775
K-6776	K-6777	K-6778
K-6779	K-6780	K-6781
K-6782	K-6783	

COLIBRI ACCESSORIES

K-9830	K-9831	K-9832	K-9833
K-9834	K-9835	K-9837	K-9838
K-9839	K-9840	K-9841	K-9843
K-9844	K-9845	K-9847	

ORDER BY KIT NUMBER OR PART NUMBER, NOT ITEM NUMBER OR KIT LETTER.

CYGNET



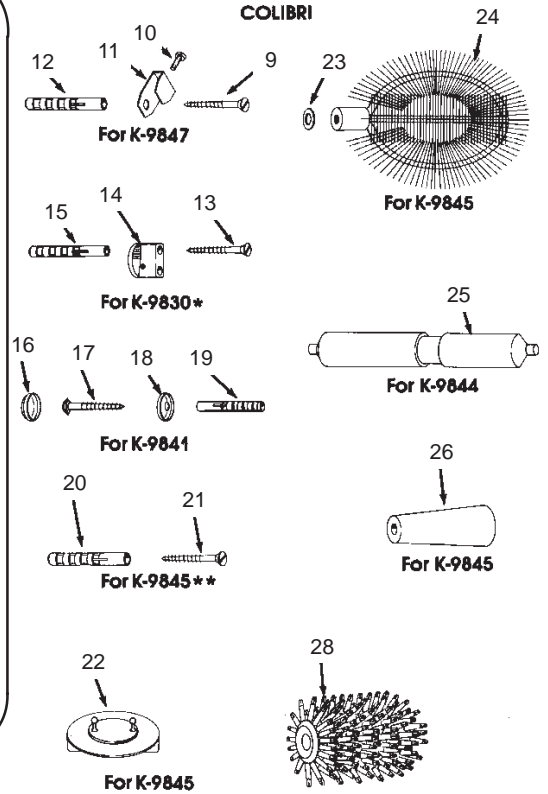
K-6779

K-6778

Ordering Options

Item	Part No. or Kit
1	A
2	B
3, 4, 5, 6	C
7, 8	D
9, 10, 11, 12	E
13, 14, 15	F
16, 17, 18, 19	G
20, 21	H
22	I
23, 24	J
25	K
26	L
27	M
28	N

COLIBRI



For K-9847

For K-9845

For K-9830*

For K-9844

For K-9841

For K-9845

For K-9845**

For K-9845

Kit Ordering Information

Kit	Kit Part No.	Kit Name	Kit Contents
A	31012	Soap Dish	1 ea., Item 1
B	31011	Tumbler	1 ea., Item 2
C	31015	Mirror Hangers	2 ea., Items 3 thru 6
D	31009***	Screw & Anchor Kit	2 ea., Items 7 and 8
E	42607	Mirror Hanger Kit	1 ea., Items 9 thru 12
F	42608*	Mounting Kit	1 ea., Item 14; 2 ea., Items 13 and 15
G	42609	Mounting Kit	1 ea., Items 16 thru 19
H	42611**	Screw and Anchor Kit	1 ea., Items 20 and 21
I	42605	Disc Key	1 ea., Item 22
J	42610	Toilet Brush Replacement	1 ea., Items 23 and 24
K	42591	Toilet Tissue Roller	1 ea., Item 25
L	42615	Toilet Brush Handle Sleeve	1 ea., Item 26
M	43236‡	Cygnnet Tissue Roller	1 ea., Item 27
N	500349	Toilet Brush Replacement	1 ea., Item 28

KITS MAY INCLUDE EXTRA PARTS

NOTES:

- * Also used for K-9831/32/33/34/35/36/38/39/44/45.
- ** Also used on K-9840.
- *** Also used on K-6774/75/76/77/78/79/80/81.

LEGEND:

- ‡ Specify Finish.