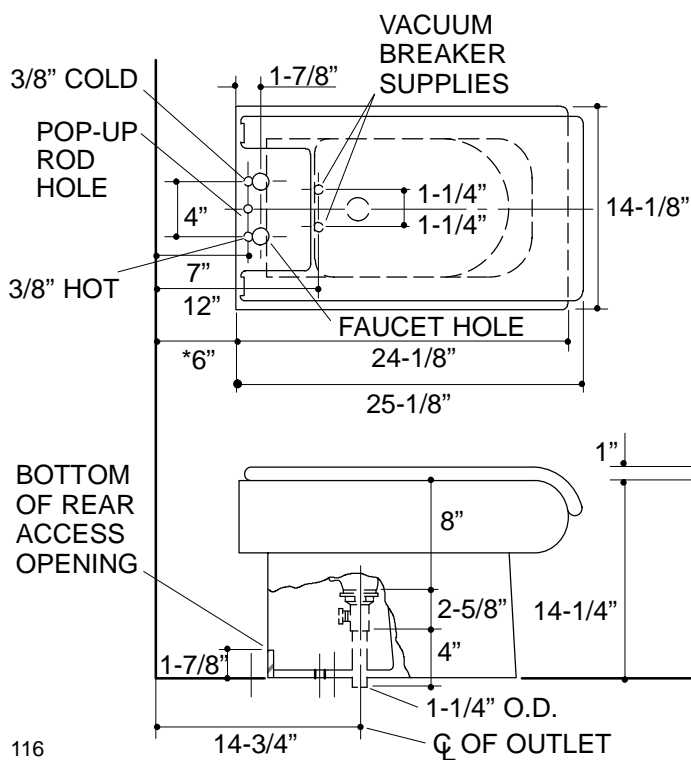


Ordering Information

| Accessories/hardware: | | |
|-----------------------|--|-------------|
| Cygnnet faucet | | recommended |
| Pillows faucet | | recommended |
| Taboret faucet | | recommended |

Product Information

| | |
|---|--------------|
| Fixture: | |
| Configuration | Faucet deck* |
| Outlet | 1-3/4" D. |
| Spray hole | 3/8" D. |
| Faucet hole | 1-3/8" D. |
| Pop-up rod hole | 5/8" D. |
| Included Components: | |
| Cover | 74929 |
| Floor screws | 21402 |
| *Kohler faucet required, refer to specification guides. | |



Roughing-In Notes

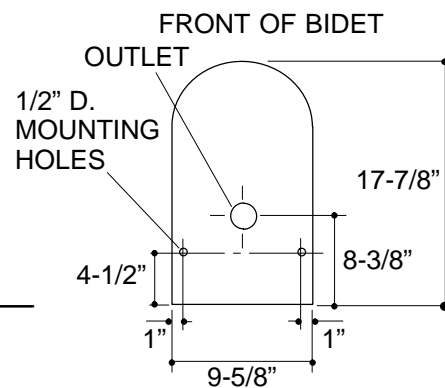
Fixture dimensions are nominal and conform to tolerances in ASME Standard A112.19.2M.

*6" dimension required to allow for drain and supply connection from rear of bidet.

Install trap in drain line below floor.

Hot and cold and vacuum breaker supply locations should be installed from floor.

If floor supplies are used, avoid roughing-in near rear of base.



116

K-4858 Pillow Talk™ Bidet
106686-1-AA (9610)

KOHLER®

NOTES: