

Ordering Information

Applicable product:		
Wall-mount lavatory	K-3035	shown
Wall-mount cistern	K-3036	shown

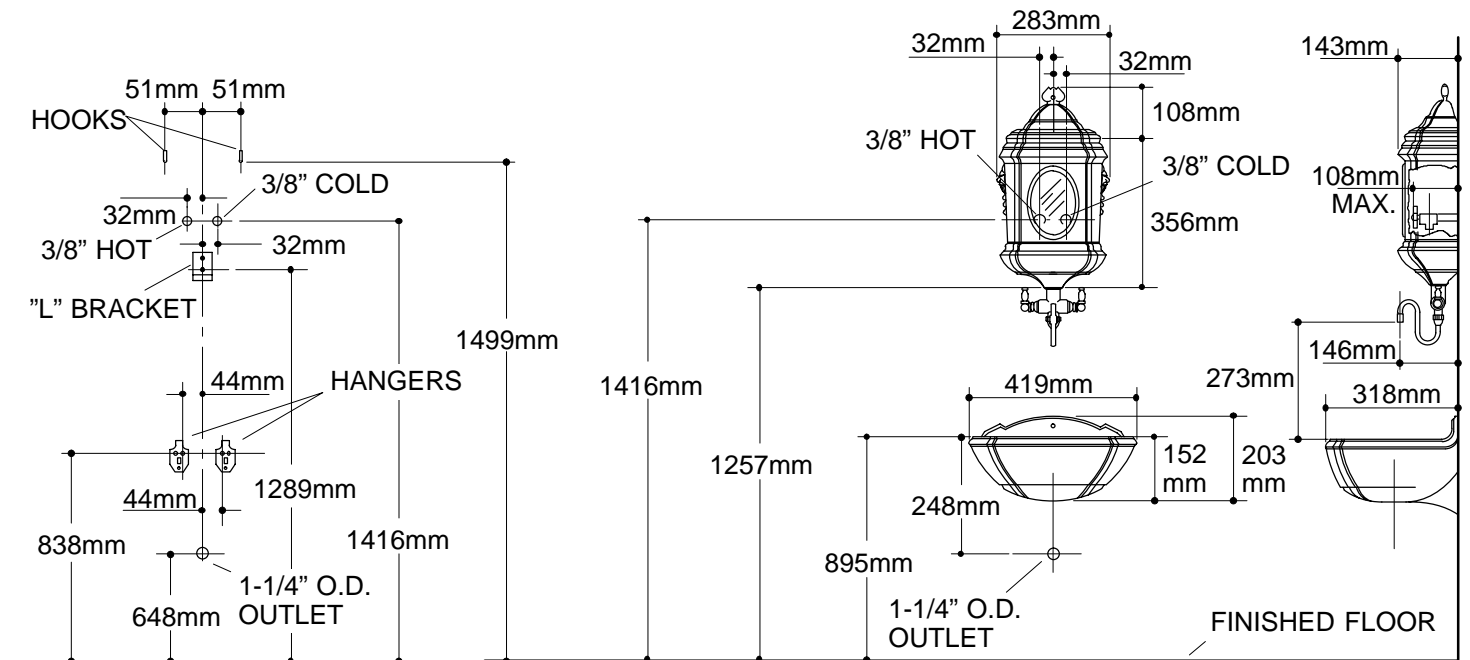
Product Information

Fixture*:		basin area	water depth
Lavatory		330 x 229mm	70mm
Outlet	Ø48mm		
* Approximate measurements for comparison only.			

Included Components:		
3/8" angle supplies with stops	shown	K-7605
Trap	not shown	K-8998
Faucet mounting hardware	shown	30716
Lavatory support assembly	shown	30726

Installation Notes

Refer to installation instructions included with fixture before beginning installation.



BRACKET AND HANGER LOCATIONS

.9<116