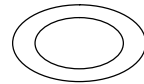
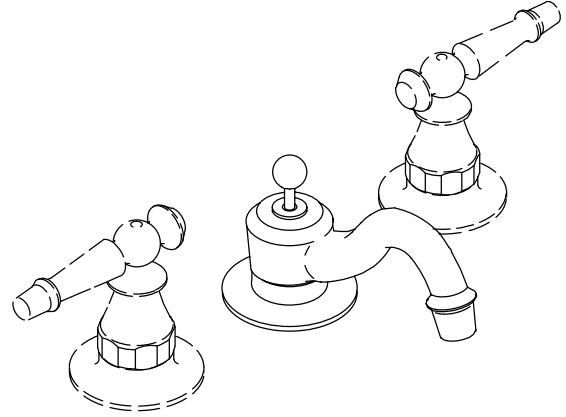


**LAVATORY FAUCET
K-108**

FEATURES

- Brass construction
- Flexible connections
- Brass valve bodies
- Quarter-turn washerless ceramic disc valves
- 4-5/8" spout
- 2.0 gallons per minute
- Pop-up drain with lift rod and tailpiece
- Available with six-prong or lever handles



CODES/STANDARDS APPLICABLE



Specified model meets or exceeds the following:

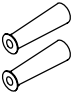
- ASME/ANSI A112.18.1M
- CSA B125
- Energy Policy Act of 1992
- IAPMO/UPC
- NSF 61

COLORS/FINISHES

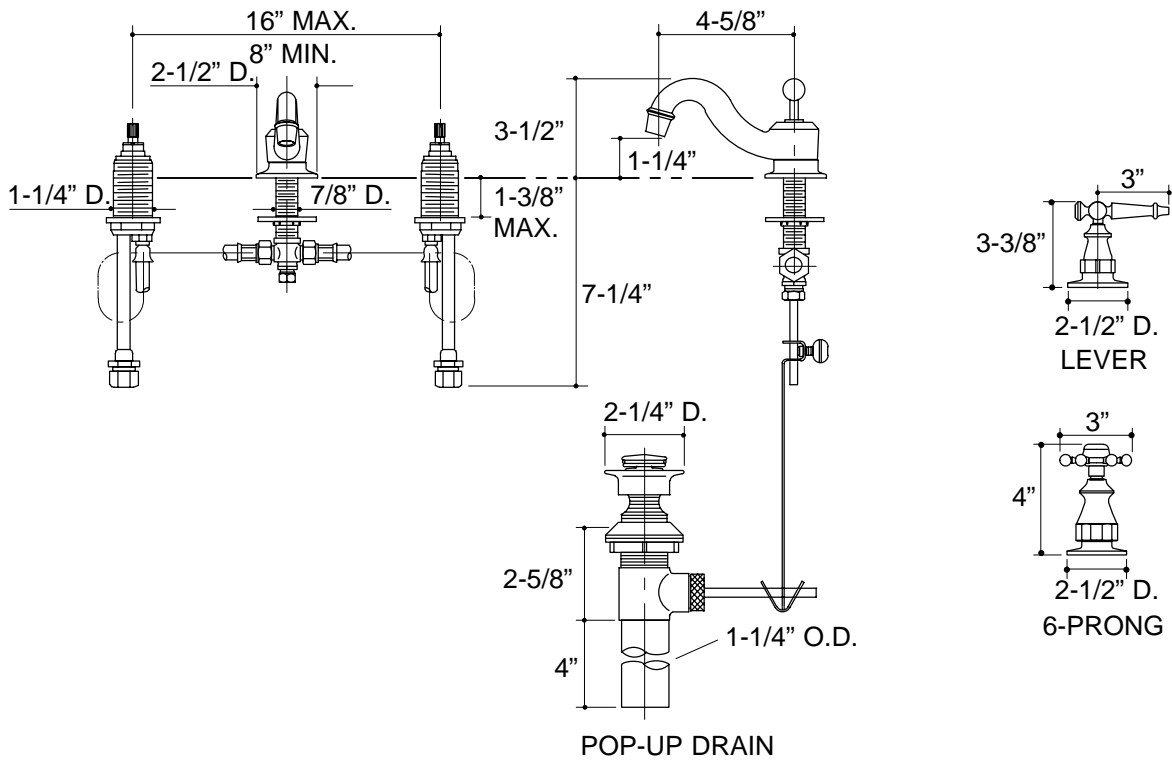
- CP Polished Chrome
- PB Polished Brass
- Other Refer to Faucets Price Book for additional finishes

SPECIFIED MODEL:

Model	Description		 ADA
K-108-3	With Six-Prong Handles	<input type="checkbox"/> CP <input type="checkbox"/> PB	
K-108-4	With Lever Handles		<input type="checkbox"/> CP <input type="checkbox"/> PB <input type="checkbox"/> Other_____

Optional Accessories		
K-9637	Small Lever Inserts, Pair	<input type="checkbox"/> CP <input type="checkbox"/> PB
K-9657	Small Lever Inserts, Pair	<input type="checkbox"/> Other_____

PRODUCT SPECIFICATION:
 Two-handle widespread lavatory faucet shall be of brass construction. Faucet shall feature brass valve bodies. Faucet shall feature quarter-turn washerless ceramic disc valves, assuring positive handle stop positioning. Product shall include flexible connections, 4-5/8" spout, pop-up drain with lift rod and tailpiece, and six-prong or lever handles. Faucet shall be Kohler Model K-108-_____-_____.



PRODUCT DIAGRAM