

# KOHLER® SERVICE PARTS

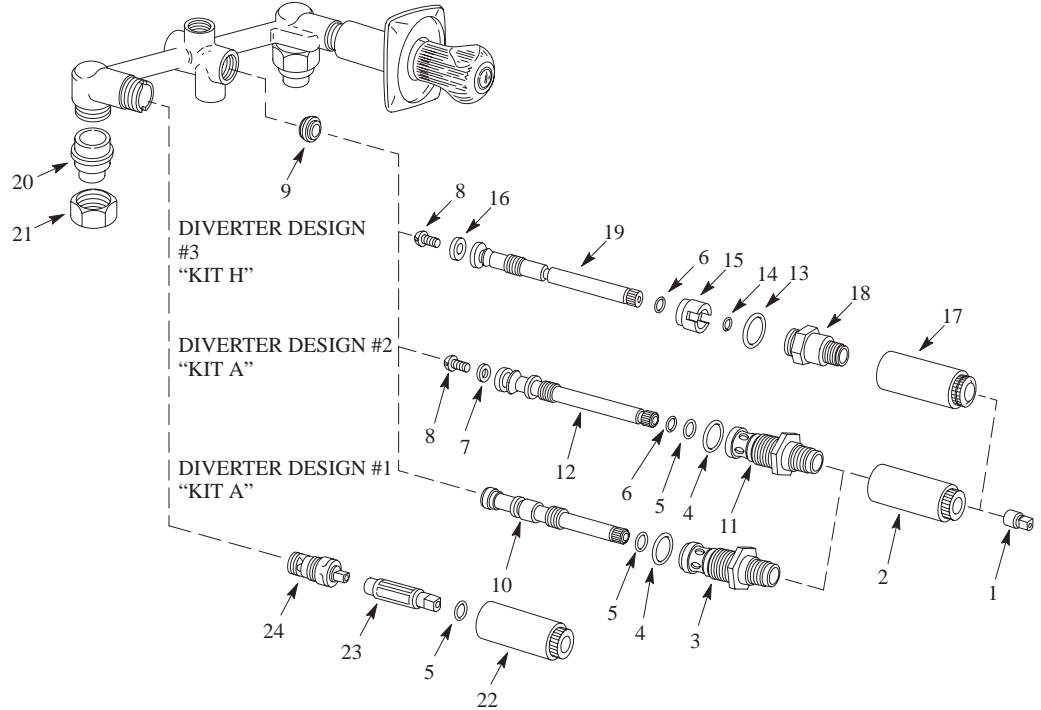
## BATH AND SHOWER FITTINGS

|                |          |   |
|----------------|----------|---|
| <b>K-15231</b> | CORALAIS | BATH AND SHOWER DIVERTER VALVE ASSEMBLY WITH SPOUT AND SHOWERHEAD                 |
| <b>K-15234</b> | CORALAIS | BATH AND SHOWER DIVERTER VALVE ASSEMBLY WITH SPOUT, STOPS, AND SHOWERHEAD         |
| <b>K-15431</b> | CORALAIS | BATH AND SHOWER DIVERTER VALVE ASSEMBLY WITH SPOUT AND SHOWERHEAD (PROJECT PACKS) |
| -S             |          | WITH SLIP-FIT SPOUT   |
| -SN            |          | WITH SLIP-FIT SPOUT LESS SHOWERHEAD   |

ORDER BY KIT NUMBER OR PART NUMBER, NOT ITEM NUMBER OR KIT LETTER.

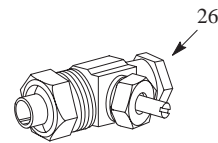
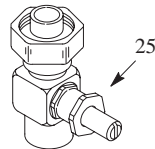
### Ordering Options

| Item                  | Part No. or Kit    |
|-----------------------|--------------------|
| <b>VALVE ASSEMBLY</b> |                    |
| 1                     | 70112, F or G      |
| 2                     | 70111 ‡            |
| 3                     | A                  |
| 4                     | 40933, F           |
| 5                     | 20960, F           |
| 6                     | 42451, H or I or J |
| 7                     | 34209, F           |
| 8                     | 31490, H or I or J |
| 9                     | 20774, H or I or J |
| 10                    | A                  |
| 11                    | 70471              |
| 12                    | 70470              |
| 13                    | 34353, I, J        |
| 14                    | 33993, I, J        |
| 15                    | 40282, I, J        |
| 16                    | 20961, I, J        |
| 17                    | 70493 ‡            |
| 18                    | 40280, J           |
| 19                    | 70494, J           |
| 20                    | 70101              |
| 21                    | 70100              |
| 22                    | 70098 ‡            |
| 23                    | 70096              |
| 24                    | B                  |



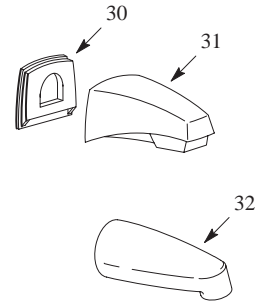
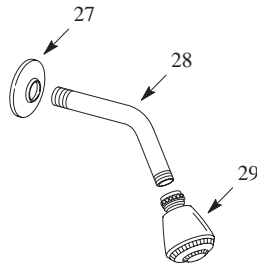
### Ordering Options

| Item         | Part No. or Kit |
|--------------|-----------------|
| <b>STOPS</b> |                 |
| 25, 26C      |                 |



### Ordering Options

| Item                          | Part No. or Kit |
|-------------------------------|-----------------|
| <b>SPOUTS AND SHOWERHEADS</b> |                 |
| 27                            | 20429 ‡         |
| 28                            | 51410 ‡         |
| 29                            | 20384 ‡         |
| 30                            | 70373           |
| 31                            | D or E          |
| 32                            | F or G          |



KITS MAY INCLUDE EXTRA PARTS

OVER

**NOTES:**  
Other product numbers using the same parts:  
K-15235

**LEGEND**  
‡ Specify finish.  
□ Shading indicates product discontinued.

# BATH AND SHOWER FITTINGS

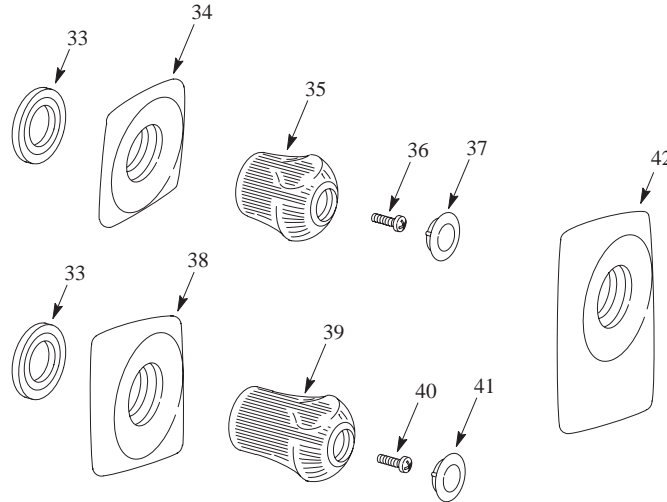
|                |          |   |
|----------------|----------|---|
| <b>K-15231</b> | CORALAIS | BATH AND SHOWER DIVERTER VALVE ASSEMBLY WITH SPOUT AND SHOWERHEAD                 |
| <b>K-15234</b> | CORALAIS | BATH AND SHOWER DIVERTER VALVE ASSEMBLY WITH SPOUT, STOPS, AND SHOWERHEAD         |
| <b>K-15431</b> | CORALAIS | BATH AND SHOWER DIVERTER VALVE ASSEMBLY WITH SPOUT AND SHOWERHEAD (PROJECT PACKS) |
| <b>-S</b>      |          | WITH SLIP-FIT SPOUT   |
| <b>-SN</b>     |          | WITH SLIP-FIT SPOUT LESS SHOWERHEAD   |

Con't.

ORDER BY KIT NUMBER OR PART NUMBER, NOT ITEM NUMBER OR KIT LETTER.

### Ordering Options

| Item                           | Part No. or Kit |
|--------------------------------|-----------------|
| <b>ESCUTCHEONS AND HANDLES</b> |                 |
| 33                             | 70097           |
| 34                             | K or L          |
| 35                             | 70206           |
| 36                             | 70117           |
| 37                             | 70252           |
| 38                             | M or N          |
| 39                             | 70233           |
| 40                             | 70047           |
| 41                             | O or P          |
| 42                             | 70292 ‡         |



### Kit Ordering Information

| Kit | Kit Part No. | Kit Name   | Kit Contents                                |
|-----|--------------|--|---|
| A   | 70424        | Diverter Replacement Kit (Diverter Design #1 and #2)   | 1 ea., items 1, 4, 6 thru 10, 12 and 13     |
| B   | 70127        | Valve Assembly Kit (Closes Clockwise)                  | 1 ea., item 24                              |
| C   | 106479§ ■    | Stop Assembly Options                                  | See INDEX.                                  |
| D   | 70444 ‡      | Plain Spout w/Slip-Fit Connection for 5/8" O.D. Copper | 1 ea., item 32                              |
| E   | 70445 ‡      | Plain Spout w/1/2" I.P. Connection                     | 1 ea., item 32                              |
| F   | 42435 ‡      | Plain Spout w/Slip-Fit Connection for 5/8" O.D. Copper | 1 ea., item 33                              |
| G   | 40241 ‡      | Plain Spout w/1/2" I.P. Connection                     | 1 ea., item 33                              |
| H   | 70423        | Seat/Seals Kit (Diverter Design #1 and #2)             | 1 ea., items 1, 4 thru 9                    |
| I   | 70463        | Seat/Seals Kit (Diverter Design #3)                    | 1 ea., items 1, 6, 8, 9, 13 thru 16         |
| J   | 70462        | Diverter Replacement Kit (Diverter Design #3)          | 1 ea., items 6, 8, 9, 13 thru 16, 18 and 19 |
| K   | 70293        | Diverter Escutcheon (Chrome Finish)                    | 1 ea., item 34                              |
| L   | 70485        | Diverter Escutcheon (Polished Brass Finish)            | 1 ea., item 34                              |
| M   | 70289        | Escutcheon (Chrome Finish)                             | 1 ea., item 38                              |
| N   | 70290        | Escutcheon (Polished Brass Finish)                     | 1 ea., item 38                              |
| O   | 70207        | Plug Button (Cold)                                     | 1 ea., item 41                              |
| P   | 70208        | Plug Button (Hot)                                      | 1 ea., item 41                              |

### KITS MAY INCLUDE EXTRA PARTS

#### NOTES

Other product numbers using the same parts:  
K-15235

#### LEGEND

- ‡ Specify finish.
- § Reference number only.
- Parts further exploded in catalog; see INDEX.
- Shading indicates product discontinued.