

K-15261

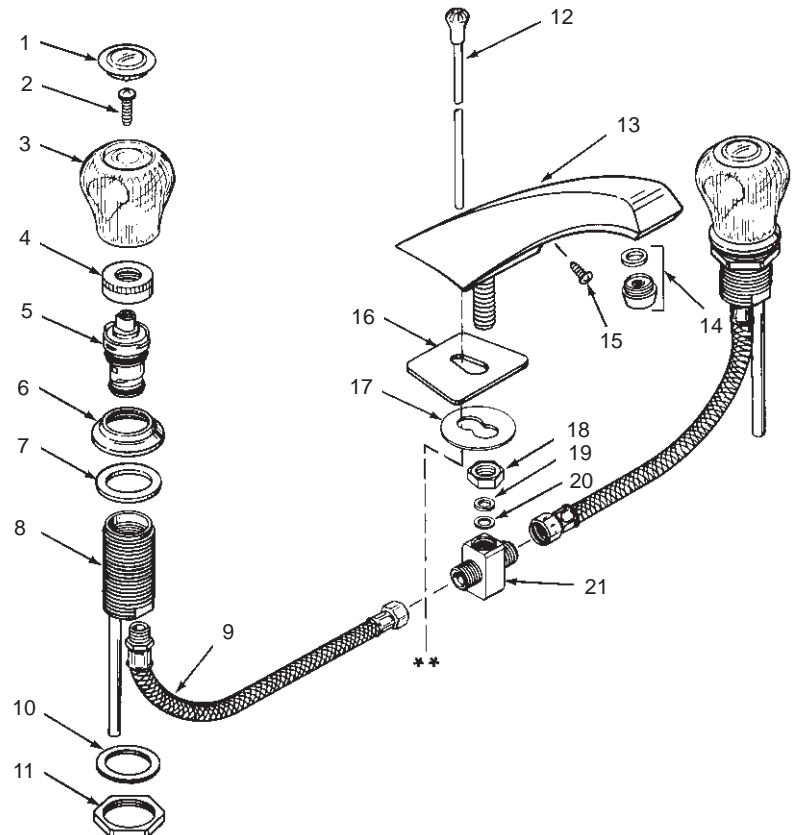
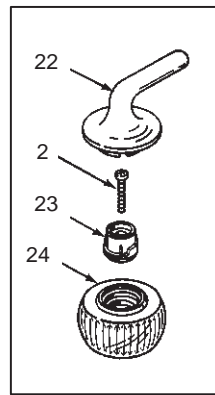
CORALAIS™

LAVATORY FAUCET

ORDER BY KIT NUMBER OR PART NUMBER, NOT ITEM NUMBER OR KIT LETTER.

Ordering Options

Item	Part No. or Kit
1	A or B
2	70047
3	70233
4	70008‡
5	C or D
6	70234‡
7	70242
8	E or F
9	40008
10	40001
11	40005
12	G or H
13	I or J or K
14	L or M
15	70347
16	N or O
17	40015
18	40014
19	40097
20	40013
21	40098
22	70302‡
23	70307
24	70306*



Kit Ordering Information

Kit	Kit Part No.	Kit Name	Kit Contents
A	70207	Plug Button (Cold)	1 ea., Item 1
B	70208	Plug Button (Hot)	1 ea., Item 1
C	70127	Valve Replacement (Closes Clockwise)	1 ea., Item 5
D	70415	Valve Replacement (Closes Counterclockwise)	1 ea., Item 5
E	70071	Valve Shank Assembly	1 ea., Item 8
F	70484	Valve Shank Assembly w/Ground Joint Connection	1 ea., Item 8
G	70341‡	Lift Rod (Chrome)	1 ea., Item 12
H	70342‡	Lift Rod (Polished Brass)	1 ea., Item 12
I	70363‡	Spout Assembly less Pop-Up Hole (Chrome)	1 ea., Items 13, 14, and 15
J	70235‡	Spout Assembly with Pop-Up Hole (Chrome)	1 ea., Items 13, 14, and 15
K	70270‡	Spout Assembly with Pop-Up Hole (Polished Brass)	1 ea., Items 13, 14, and 15
L	40106‡	Aerator (Female Thread)	1 ea., Item 14
M	41007‡	Aerator (Male Thread 5/16")	1 ea., Item 14
N	70243	Gasket (For Chrome Spout Assembly)	1 ea., Item 16
O	70535	Gasket (For Polished Brass Spout Assembly)	1 ea., Item 16

KITS MAY INCLUDE EXTRA PARTS

NOTES:

Other product numbers using same parts.

K-15262, K-15265, K-15268.

* Available in colored and wood finishes. Refer to Design Manual.

*** For CP pop-up drain, see 40240 or 70402.

** For PB pop-up drain, see K-7701 or 70408.

LEGEND:

‡ Specify Finish.