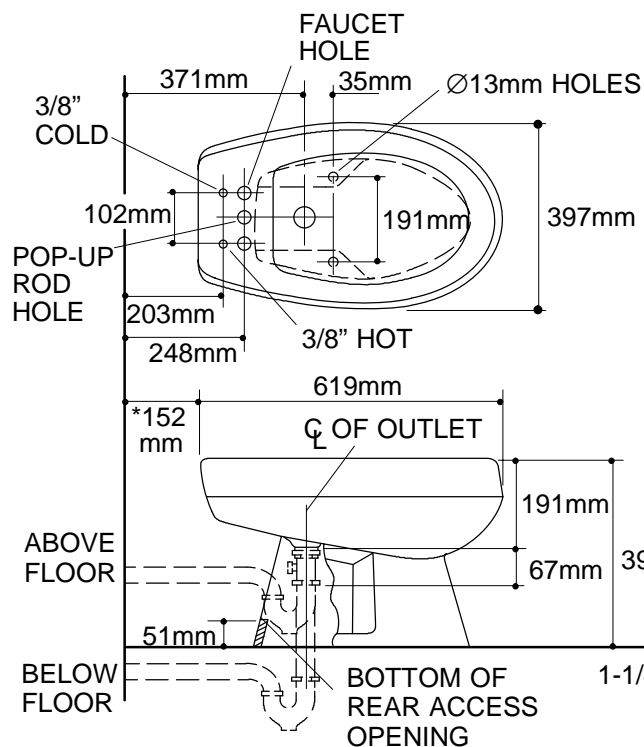


Ordering Information

| | | |
|--------------------------|--------|--------------|
| Accessories/hardware: | | |
| P-trap | K-9018 | recommended* |
| *Dimensions illustrated. | | |

Product Information

| | |
|----------------------------|-------------|
| Fixture: | |
| Configuration | Faucet deck |
| Outlet | Ø44mm |
| Faucet hole | Ø30mm |
| Pop-up rod hole | Ø30mm |
| Included Components: | |
| Floor screws and bolt caps | 52049 |



Roughing-In Notes

Fixture dimensions are nominal and conform to tolerances in ASME Standard A112.19.2M.

*152mm dimension required to allow for drain and supply connection from rear of bidet.

Install trap in drain line below floor.

FRONT OF BIDET

