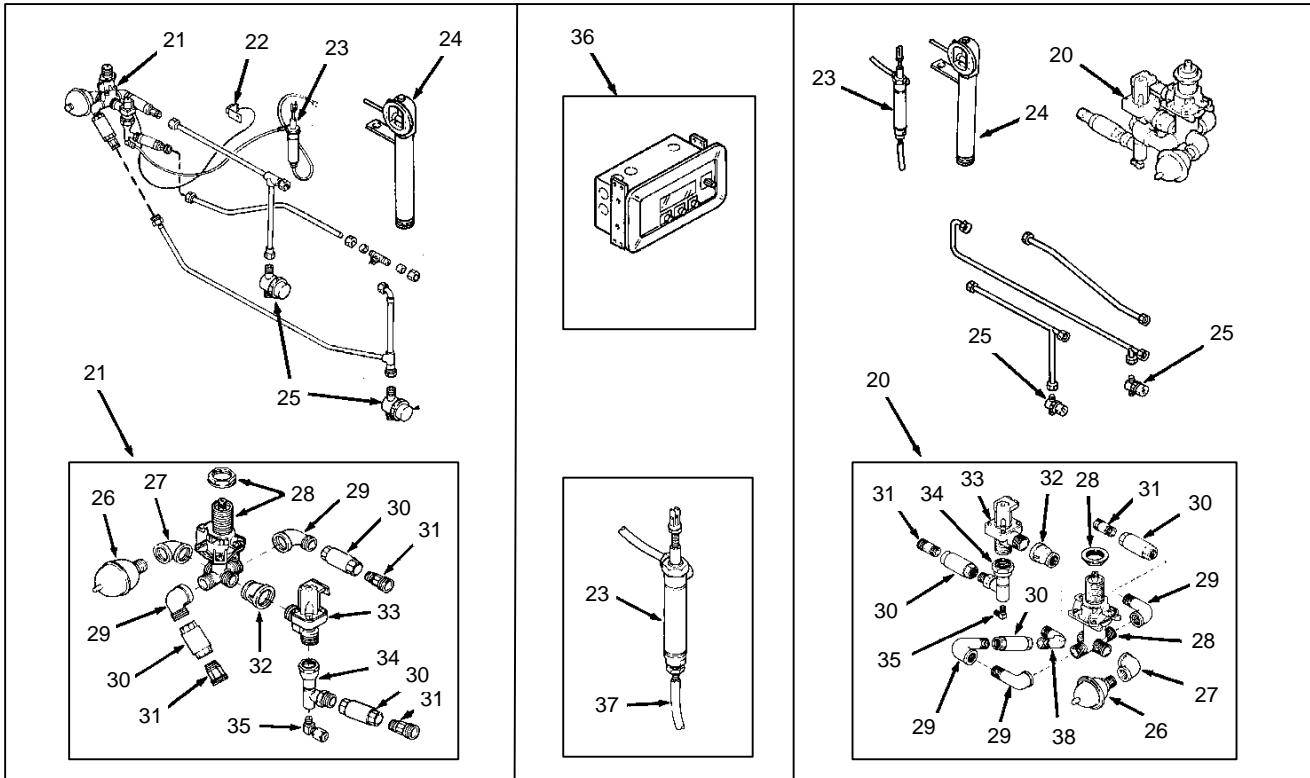
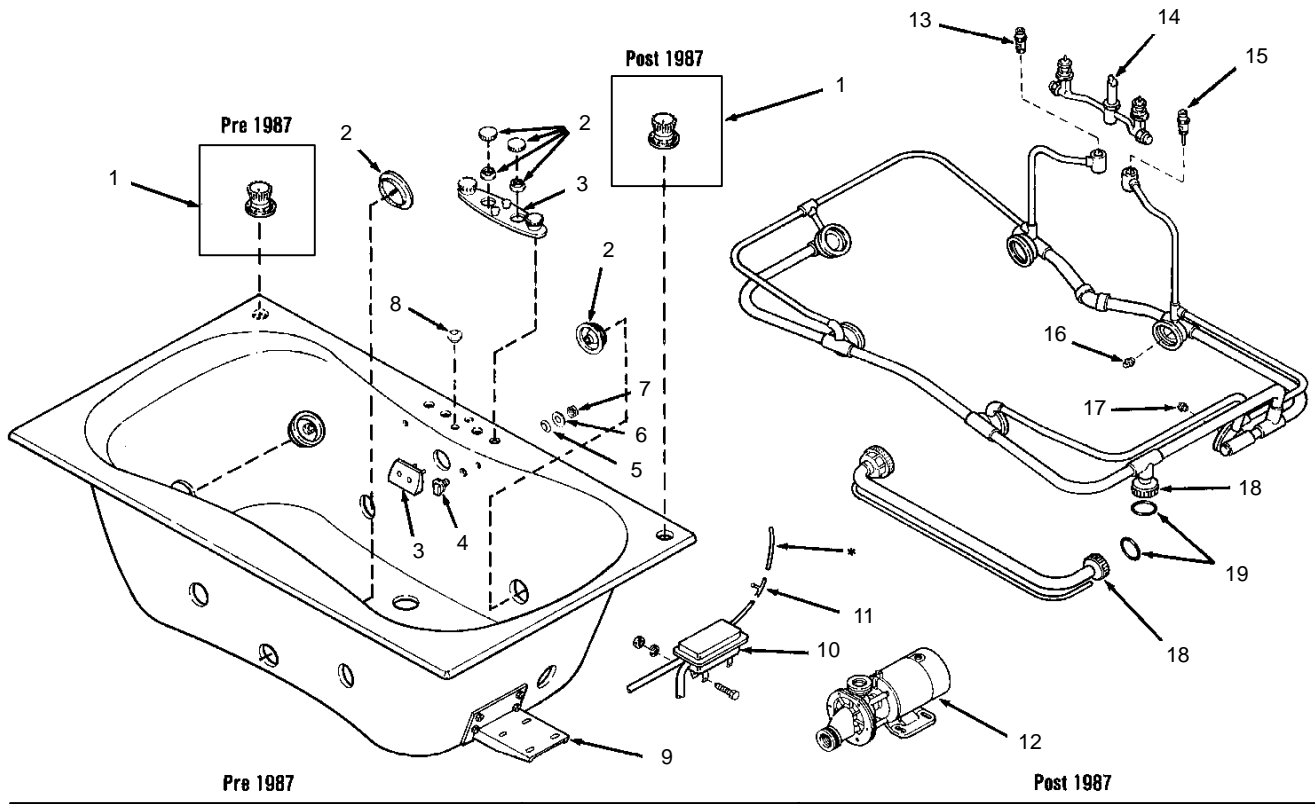


KOHLER[®] SERVICE PARTS

Infinity[∞]Bath™ WHIRLPOOL
Autofill™ Model K-1466-P
SERVICE SERIES CODE — PSA



Infinity ∞ Bath™ WHIRLPOOL (CON'T)

Autofill™ Model K-1466-P

SERVICE SERIES CODE — PSA

SERVICE PARTS

| ITEM NO. | PART NO. | QTY. | DESCRIPTION | SPECIFICATIONS |
|----------|------------|------|---|----------------------------|
| 1 | K-9590 ■ ‡ | 1 | Autofill Mixer Trim Kit | Bravura (Shown) |
| 1 | K-9591 ■ ‡ | 1 | Autofill Mixer Trim Kit | Flair II (Not Shown) |
| 2 | K-9692 ■ ‡ | 1 | 6 Jet Whirlpool Trim Kit | |
| 3 | K-9586 ■ ‡ | 1 | Infinity Trim Kit (w/o Grip Rails) | Bravura (Shown) |
| 3 | K-9588 ■ ‡ | 1 | Infinity Trim Kit (w/o Grip Rails) | Flair II (Not Shown) |
| 4 | 35279 | 1 | Fill Spout | |
| 5 | 35277 | 1 | Gasket | |
| 6 | 35278 | 1 | Washer | |
| 7 | 32010 | 1 | Nut | |
| 8 | 60745 | 1 | Diverter Seal | |
| 9 | 67874 | 1 | Motor Mount | |
| 10 | 60760 ■ | 1 | Power Panel | |
| 11 | 60655 | 1 | Bleed Tee and Tube Assembly | |
| 12 | 60935 ■ | 1 | Motor and Pump Assembly | 3/4 HP Kohler |
| 12 | 60811 ■ | 1 | Motor and Pump Assembly | 3/4 HP Marlow Gemini |
| 13 | 60722 ■ | 1 | Aspirator Assembly | |
| 14 | 31001 ■ | 1 | Supply Valve | |
| 15 | 60721 ■ | 1 | Actuator/Aspirator Assembly | |
| 16 | 60048 | 4 | Orifice | |
| 17 | 60633 | 2 | Orifice | |
| 18 | 60979 | 2 | Slip Nut | |
| 19 | 60980 | 2 | O-Ring | |
| 20 | 65093 | 1 | Master Mixer Assembly For Autofill | |
| 21 | 62462 | 1 | Master Mixer Assembly For Autofill | |
| 22 | 62427 | 1 | Level Sensor | |
| 23 | 62516 | 1 | Cylinder Assembly | |
| 24 | 62517 | 1 | Drain Closer w/Cylinder (Includes Item 7) | |
| 25 | 62431 ** | 2 | Filter | |
| 26 | 63908 | 1 | Water Hammer Arrestor | |
| 27 | 62478 | 1 | Elbow | 90° x 1/2" |
| 28 | 62440 | 1 | Mixer | |
| 29 | 62456 | 3 | Elbow | 1/2" Street |
| 30 | 62465 | 3 | Check Valve | |
| 31 | 62466 | 2 | Union | 1/2" |
| 32 | 62459 | 1 | Reducer | 1/2" x 3/4" |
| 33 | 62441 | 1 | Solenoid | |
| 34 | 62515 | 1 | Output Tee Assembly | |
| 35 | 62437 | 2 | Compression Connector | 90° x 1/4" x 1/8" NPT Male |
| 36 | 62400 ■ | 1 | Autofill Control | |
| 37 | 62493 | 1 | Plastic Tube | 1/8" I.D. PVC |
| 38 | | 1 | Union | 1/2" x 90° |

SERVICE KITS

Items:

** To Service – Order #62220 (Includes 2 Screens, 2 O-Rings)

NOTES

■ Parts Further Exploded Within This Catalog. Reference Index.

‡ Specify Finish.

* For 120" of Plastic Tube, Order #61972.