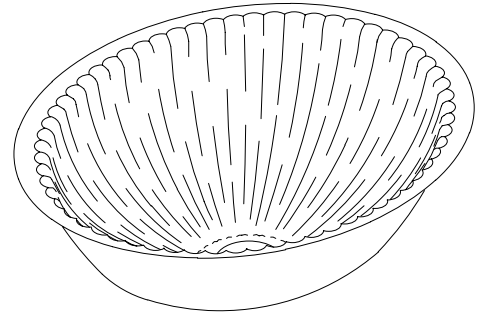


### COUNTERTOP LAVATORY

# K-2217

#### FEATURES

- 19" x 15"
- Vitreous china
- Self-rimming
- Sculptured basin
- With overflow
- With sealant



#### CODES/STANDARDS APPLICABLE

Specified model meets or exceeds the following:

- ASME/ANSI A112.19.2M
- IAPMO/UPC
- Canadian Standards Association (CSA)
- State of Massachusetts

#### COLORS/FINISHES

- 0 White
- Other Refer to Fixtures Price Book for additional colors

#### Accessories:

- CP Polished Chrome
- Other Refer to Faucets Price Book for additional finishes

#### SPECIFIED MODEL:

| Model                   | Description         | Colors/Finishes                  |                                     |
|-------------------------|---------------------|----------------------------------|-------------------------------------|
| K-2217                  | Countertop lavatory | <input type="checkbox"/> 0 White | <input type="checkbox"/> Other_____ |
| Recommended Accessories |                     |                                  |                                     |
| K-9018                  | Trap                | <input type="checkbox"/> CP      | <input type="checkbox"/> Other_____ |

#### PRODUCT SPECIFICATION:

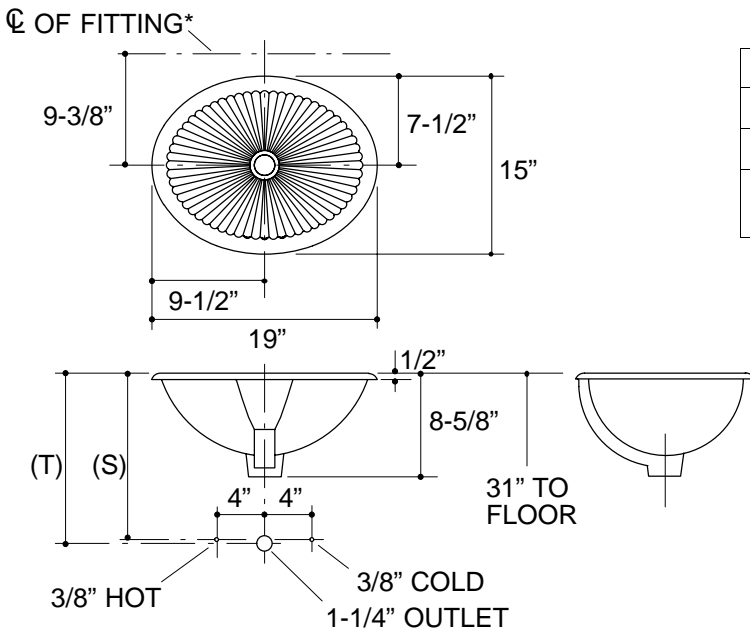
The self-rimming lavatory shall be 19" in length, and 15" in width. Lavatory shall be made of vitreous china. Lavatory shall be a sculptured basin. Lavatory shall have overflow. Lavatory shall include sealant. Lavatory shall be Kohler Model K-2217-\_\_\_\_\_.

## PRODUCT INFORMATION

| Fixture*: |           | basin area | water depth |
|-----------|-----------|------------|-------------|
| Lavatory  |           | 17" x 13"  | 5"          |
| Outlet    | 1-3/4" D. |            |             |

\* Approximate measurements for comparison only.

| Included Components: |        |
|----------------------|--------|
| Adhesive sealant     | 63034  |
| Adjustable linkage   | 40372  |
| Cutout template      | 106837 |



### Roughing-In Notes

(T) Pop-up drain 14-3/16".

(S) 14" (Based on 14" riser which may require cutting).

\*Spout must be 4-1/2" long (min.) for adequate clearance into lavatory.

## PRODUCT DIAGRAM