

# KOHLER® SERVICE PARTS

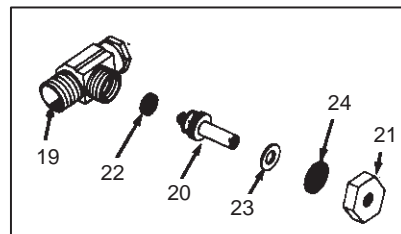
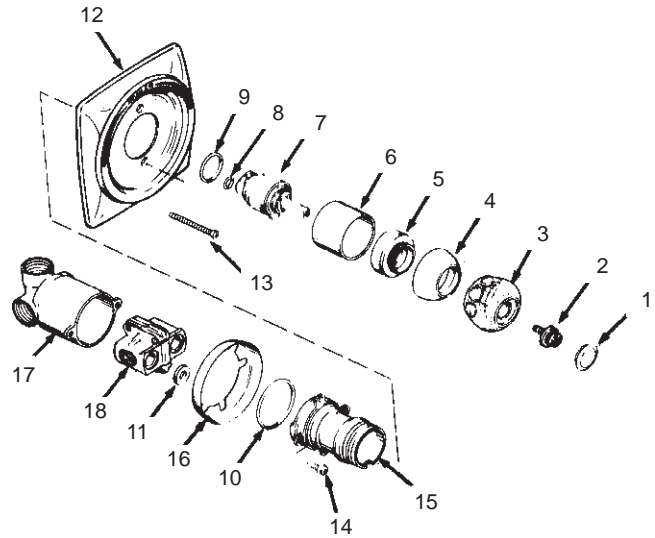
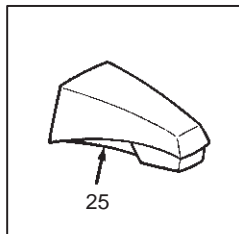
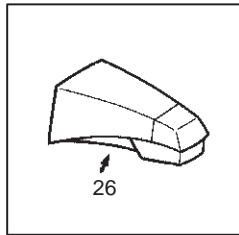
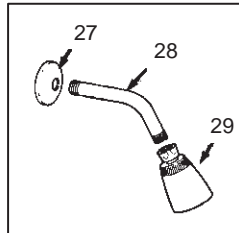
## BATH AND SHOWER FITTINGS

**K-15132**    **CORALAIS**    **PRESSURE BALANCED BATH AND SHOWER VALVE**

**ORDER BY KIT NUMBER OR PART NUMBER, NOT ITEM NUMBER OR KIT LETTER.**

### Ordering Options

Item	Part No. or Kit
1	71841, A
2, 3	A
4	B or C
5	71509‡
6	71816‡
7	D
8, 9	D, E
10, 11	E
12	71839‡
13, 14	F
15	71812
16, 17	*
18	30086
19	G, H
20, 21	G, H, I
22, 23, 24	G, H, I, J
25	K or L
26	M or N
27	20429‡
28	51410‡
29	30120‡



### Kit Ordering Information

Kit	Kit Part No.	Kit Name	Kit Contents
A	71840	Handle Kit	1 ea., Items 1, 2, and 3
B	71524	Cap (Chrome)	1 ea., Item 4
C	71528	Cap (Polished Brass)	1 ea., Item 4
D	30413	Valve Cartridge	1 ea., Items 7 and 9; 2 ea., Item 8
E	71541	Valve Repair Kit	2 ea., Items 8 and 11; 1 ea., Items 9 and 10
F	30426‡	Screw Kit	2 ea., Items 13 and 14
G	71902	Stop (5/8" O.D. Copper)	1 ea., Items 19 thru 24
H	71903	Stop (1/2" I.P.)	1 ea., Items 19 thru 24
I	30495	Stop Valve Stem Kit	2 ea., Items 20 thru 24
J	30494	Valve Repair Kit	2 ea., Items 22, 23, and 24
K	70444‡	Spout (Slip Fit for 5/8" O.D. Copper)	1 ea., Item 25
L	70445‡	Spout (1/2" I.P. Connection)	1 ea., Item 25
M	70446‡	Diverter Spout (5/8" O.D. Copper)	1 ea., Item 26
N	70447‡	Diverter Spout (1/2" I.P. Connection)	1 ea., Item 26

### KITS MAY INCLUDE EXTRA PARTS

#### NOTES:

Other Product Numbers Using Same Parts:  
 K-15134    K-15143    K-15155  
 K-15141    K-15153  
 \* Not available as a service part.

#### LEGEND:

‡ Specify Finish.