

KOHLER® SERVICE PARTS

LAVATORY FITTINGS

K-11810
-M
-P

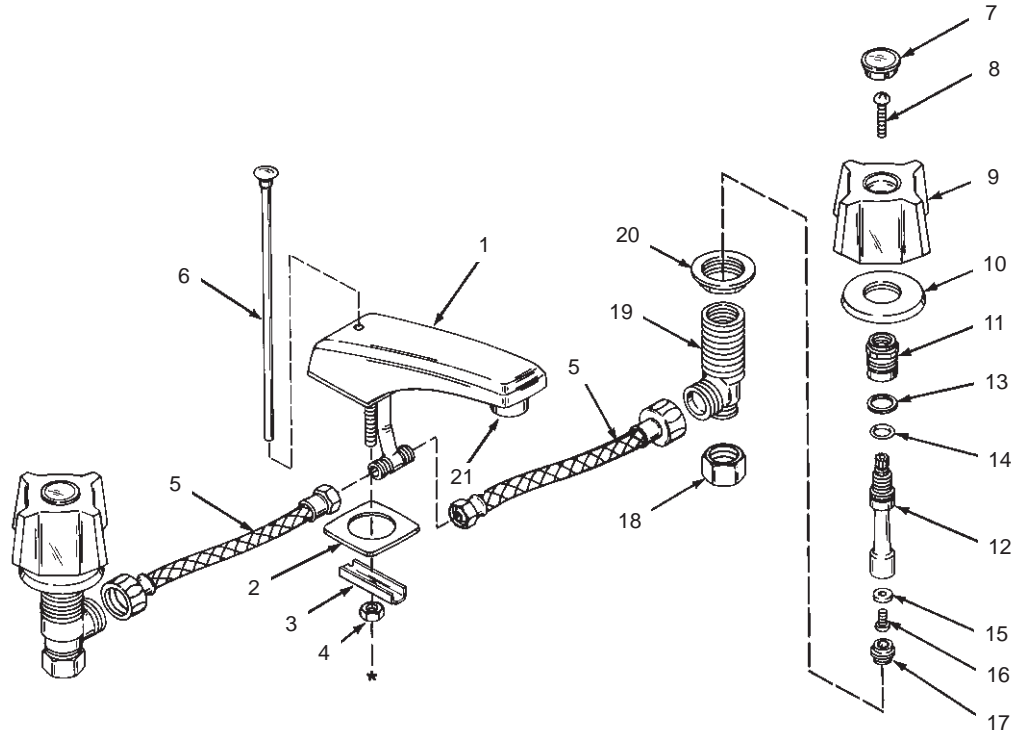
TREND

LAVATORY FAUCET
WITH METAL HANDLES
WITH PLASTIC HANDLES
(FLEXIBLE CONNECTIONS)

ORDER BY KIT NUMBER OR PART NUMBER, NOT ITEM NUMBER OR KIT LETTER.

Ordering Options

Item	Part No. or Kit
1	30475‡
2, 3, 4	A
5	B
6	20781‡
7	C
8	D or E
9	20386-BC, F
10	G
11, 12	H
13, 14, 15, 16	IH K
17	K
18	I
19	20997
20	J
21	L or M or N



Kit Ordering Information

Kit	Kit Part No.	Kit Name	Kit Contents
A	30474	Mounting Hardware	1 ea., Items 2, 3 and 4
B	30473	Hoses	2 ea., Item 5
C	30000	Plug Buttons	2 ea., Item 7
D	30098	Screws – Metal Handle	2 ea., Item 8
E	30099	Screws – Acrylic Handle	2 ea., Item 8
F	30005‡	Handles – (Metal Chrome)	2 ea., Item 9
G	30080‡	Escutcheons	2 ea., Item 10
H	30397	Valve Assembly (Closes Clockwise)	1 ea., Items 11 thru 16
I	30230	Coupling Nuts	2 ea., Item 18
J	30237	Locknuts	2 ea., Item 20
K	30404	Valve Service Kit	2 ea., Items 13 thru 17
L	30072‡	Aerator (Male Threads)	1 ea., Item 21
M	30070‡	Aerator (Female Threads)	1 ea., Item 21
N	55172‡	Aerator (.5 G.P.M. – V.P.)	1 ea., Item 21

KITS MAY INCLUDE EXTRA PARTS

NOTES:

- * For Chrome Plate pop-up drain, see 40240 or 70402.
- * For Polished Brass pop-up drain, see 70408.

LEGEND:

- ‡ Specify Finish.