

K-6763

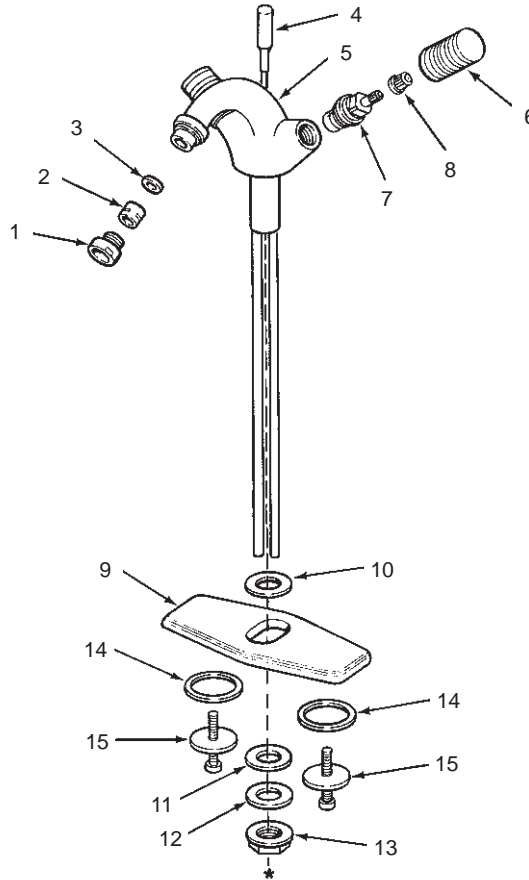
CYGNET™

CENTER MOUNTED LAVATORY FAUCET

ORDER BY KIT NUMBER OR PART NUMBER, NOT ITEM NUMBER OR KIT LETTER.

### Ordering Options

Item	Part No. or Kit
1, 2, 3	23142‡
4	A
5	**
6	23140‡
7	B or C
8	B or C, E
9	30488‡
10, 11, 12, 13, 14, 15	D



### Kit Ordering Information

Kit	Kit Part No.	Kit Name	Kit Contents
A	30512 ‡	Lift Rod	1 ea., Item 4
B	30430	Valve (Closes Clockwise)	1 ea., Items 7 and 8
C	30431	Valve (Closes Counterclockwise)	1 ea., Items 7 and 8
D	23146	Mounting Hardware	1 ea., Items 10 thru 13; 2 ea., Items 14 and 15
E	30502	Spline Adapters (Plastic)	2 ea., Item 8

### KITS MAY INCLUDE EXTRA PARTS

#### NOTES:

- \* For pop-up drain see 23176.
- \*\* Not available as a service part.

#### LEGEND:

- ‡ Specify Finish.