

K-6770

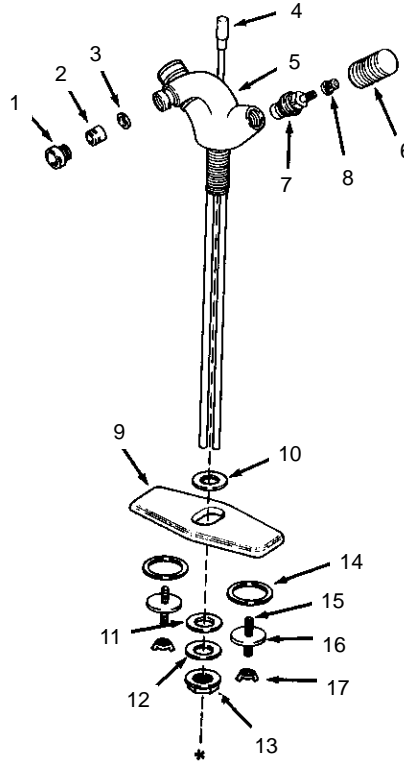
CYGNET™

CENTER MOUNTED BIDET FAUCET

ORDER BY KIT NUMBER OR PART NUMBER, NOT ITEM NUMBER OR KIT LETTER.

Ordering Options

Item	Part No. or Kit
1, 2, 3	23142‡
4	A
5	**
6	23140‡
7	B or C
8	D
9	30488‡
10, 11, 12, 13, 14,	E
15, 16, 17	E



Kit Ordering Information

Kit	Kit Part No.	Kit Name	Kit Contents
A	30511‡	Lift Rod Kit	1 ea., Item 4
B	30430	Ceramic Valve (Closes Clockwise)	1 ea., Item 7
C	30431	Ceramic Valve (Closes Counterclockwise)	1 ea., Item 7
D	30502	Spline Adapters	2 ea., Item 8
E	23146	Mounting Hardware Kit	1 ea., Items 10 thru 13; 2 ea., Items 14 thru 17

KITS MAY INCLUDE EXTRA PARTS

NOTES:

- * For pop-up drain, see 23176.
- ** Not available as a service part.

LEGEND:

- ‡ Specify Finish.