

KOHLER® SERVICE PARTS

SINK FITTINGS

K-6996

EPICURE™

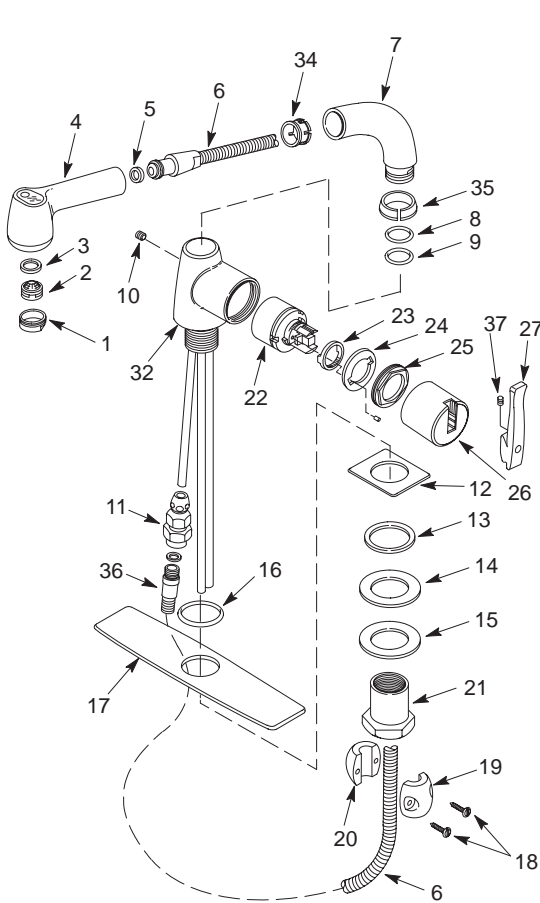
SINK FAUCET

K-6997

EPICURE™

SINK FAUCET

ORDER BY KIT NUMBER OR PART NUMBER, NOT ITEM NUMBER OR KIT LETTER.



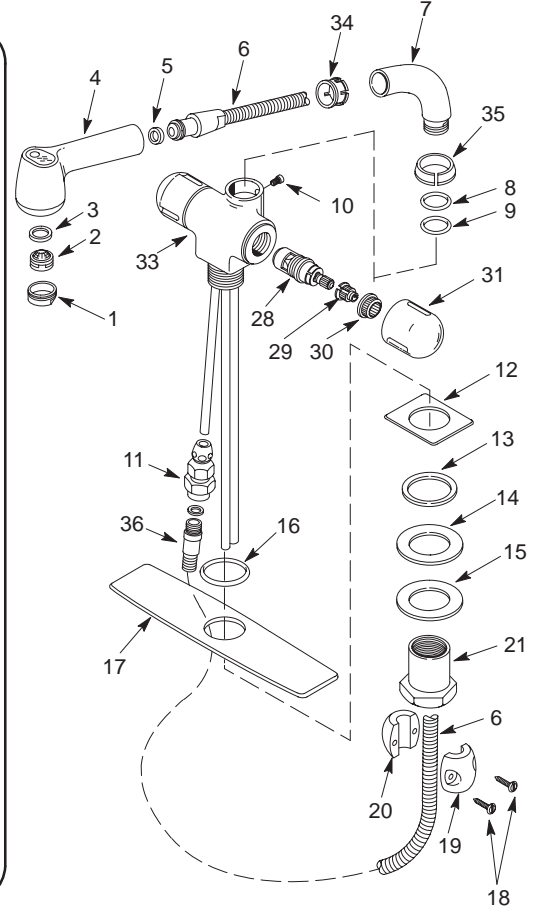
Ordering Options

Item

- 1, 2, 3
- 4
- 5
- 6
- 7
- 8
- 9
- 10
- 11
- 12 thru 16
- 17
- 18, 19, 20
- 21
- 22 thru 25
- 26
- 27
- 28
- 29
- 30
- 31
- 32, 33
- 34
- 35
- 36
- 37

Part No. or Kit

- A, B
- B
- 41163
- C
- D
- 52966, D
- 52967, D
- 30460
- 23181
- E
- 23183 ‡
- F
- 23185
- G
- 23187 ‡
- M
- H or I
- J, K
- K, L
- K
- *
- 52965, D
- 52970, D
- 30572
- M



Kit Ordering Information

Kit	Kit Part No.	Kit Name	Kit Contents
A	30461 ‡	Aerator	1 ea., items 1, 2, and 3
B	23177 ‡	Hand Spray w/Aerator	1 ea., items 1 thru 4
C	23178	Hose	1 ea., item 6
D	23179 ‡	Swing Spout	1 ea., items 7, 8, 9, 34, and 35
E	23182	Gasket Kit	1 ea., items 12 thru 16
F	23184	Weight Kit	1 ea., items 18, 19, and 20
G	23189	Valve Cartridge	1 ea., items 22 thru 25
H	30430	Ceramic Valve (Closes Clockwise)	1 ea., item 28
I	30431	Ceramic Valve (Closes Counterclockwise)	1 ea., item 28
J	30502	Spline Adapter Kit	2 ea., item 29
K	30768 ‡	Handle Kit	1 ea., items 29, 30, and 31
L	30767	Spline Adapter Kit	2 ea., item 30
M	23186 ‡	Lever and Setscrew Kit	1 ea., items 27 and 37

KITS MAY INCLUDE EXTRA PARTS

NOTES:

* Not available as a service part.

LEGEND:

‡ Specify finish.