

Ordering Information

Accessories/hardware:		
Profile receptor	K-9852	optional
Captiva™ receptor	K-9535	optional

Product Information

Fixture:	
Weight, shower enclosure	155 lbs.
Glass, tempered safety	clear
Included Components:	
Frames and hardware	K-9556
Shower door	K-9550
Filler panel	K-9553

Installation Notes

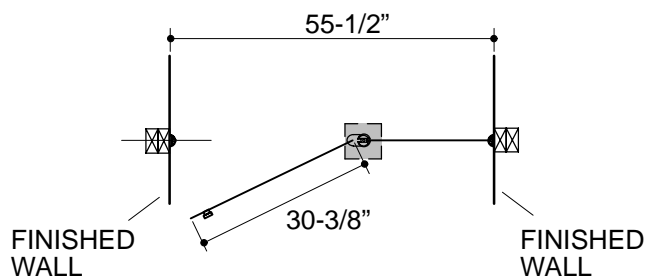
Refer to installation instructions included with fixture before beginning installation.

Roughing-In Notes

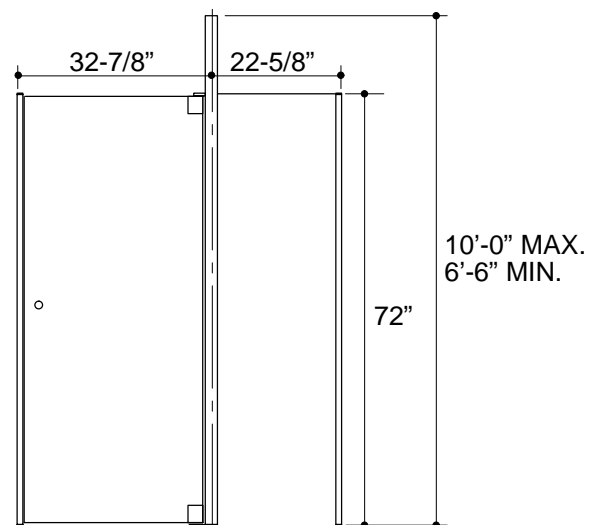
Tempered glass conforms to ANSI Z97.1.

Structural support required in the ceiling above these locations.

Leave studs exposed. Shower enclosure wall jamba must be installed directly to studs.



TOP VIEW



FRONT VIEW