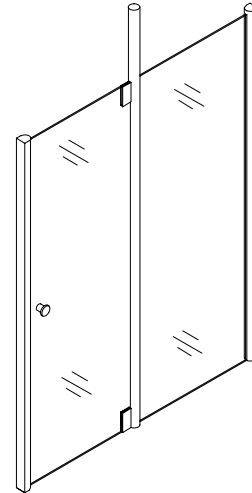


### FEATURES

- 60" shower, 55-1/2" W x 72" H
- 10' aluminum support post
- 3/8" glass door panel
- 1/4" Clear tempered glass filler panel
- Color-matched towel bar (with colored posts only)
- Includes wall jambs and hardware



### CODES/STANDARDS APPLICABLE

Specified model meets or exceeds the following:

- ANSI Z97.1 (tempered glass)

### COLORS/FINISHES

- SV Nevada Silver™
- BR New England Brass™
- Other Refer to Fixtures Price Book for additional colors

#### Accessories:

- 0 White
- Other Refer to Fixtures Price Book for additional colors

### SPECIFIED MODEL:

Model	Description	Colors/Finishes		
		<input type="checkbox"/> SV	<input type="checkbox"/> BR	<input type="checkbox"/> Other_____
K-9850	Shower door	<input type="checkbox"/> SV	<input type="checkbox"/> BR	<input type="checkbox"/> Other_____
<b>Optional Accessories</b>				
K-9852	Profile shower receptor	<input type="checkbox"/> 0 White	<input type="checkbox"/> Other_____	
K-9535	Captiva™ shower receptor	<input type="checkbox"/> 0 White	<input type="checkbox"/> Other_____	

### PRODUCT SPECIFICATION:

The shower door shall be 55-1/2" in width, and 72" in height. Shower door shall be used for a 60" shower. Shower door shall have 10' aluminum support post. Shower door shall have 3/8" glass door panel. Shower door shall have 1/4" clear tempered glass filler panel. Shower door shall color-matched towel bar (with colored posts only) Shower door shall include wall jambs and hardware. Shower door shall be Kohler Model K-9850-\_\_\_\_\_.

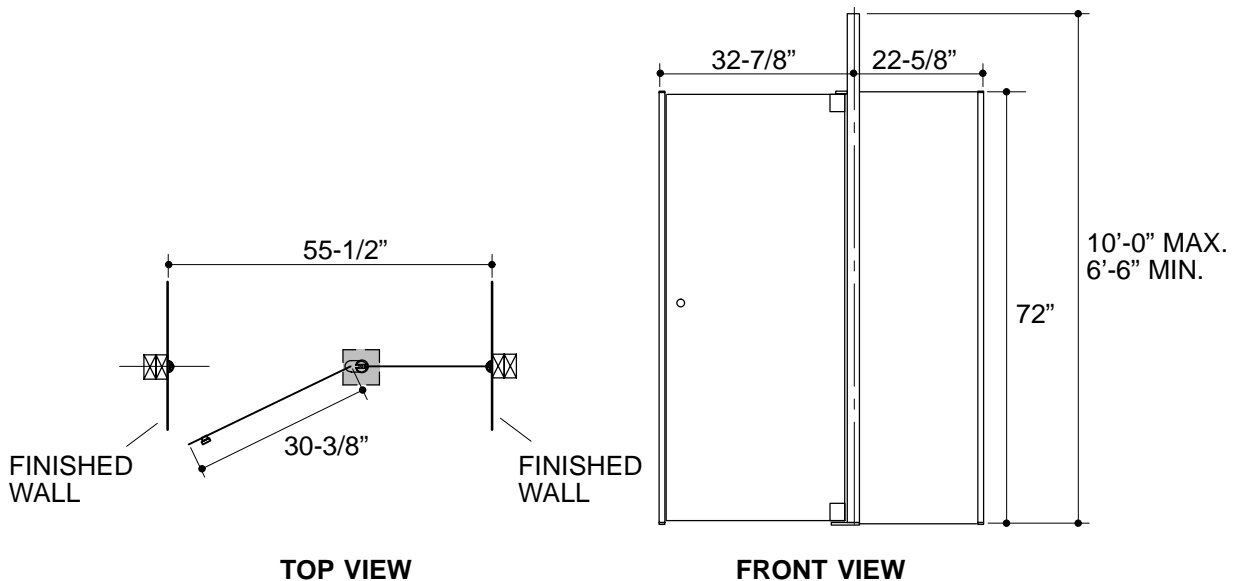
# PROFILE®

## PRODUCT INFORMATION

Fixture:	
Weight, shower enclosure	155 lbs.
Glass, tempered safety	clear

Included Components:	
Frames and hardware	K-9556
Shower door	K-9550
Filler panel	K-9553

Roughing-In Notes	
	Structural support required in the ceiling above these locations.
<b>Leave studs exposed.</b> Shower enclosure wall jambs must be installed directly to studs.	



18

## PRODUCT DIAGRAM