

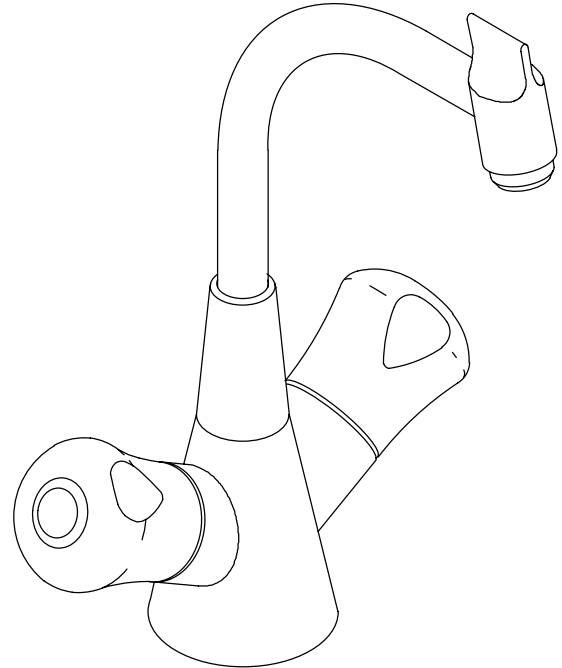
**FEATURES**

- Metal construction
- Single-hole mounting
- Reversible quarter-turn washerless ceramic disc valves
- 5-1/2" Multi-Swivel™ swing spout
- Rotating aerator
- 2.2 gallons per minute
- Smoked sculptured acrylic handles

**CODES/STANDARDS APPLICABLE**

Specified model meets or exceeds the following:

- ASME/ANSI A112.18.1M
- CSA B125
- Energy Policy Act of 1992
- IAPMO/UPC
- NSF 61



**COLORS/FINISHES**

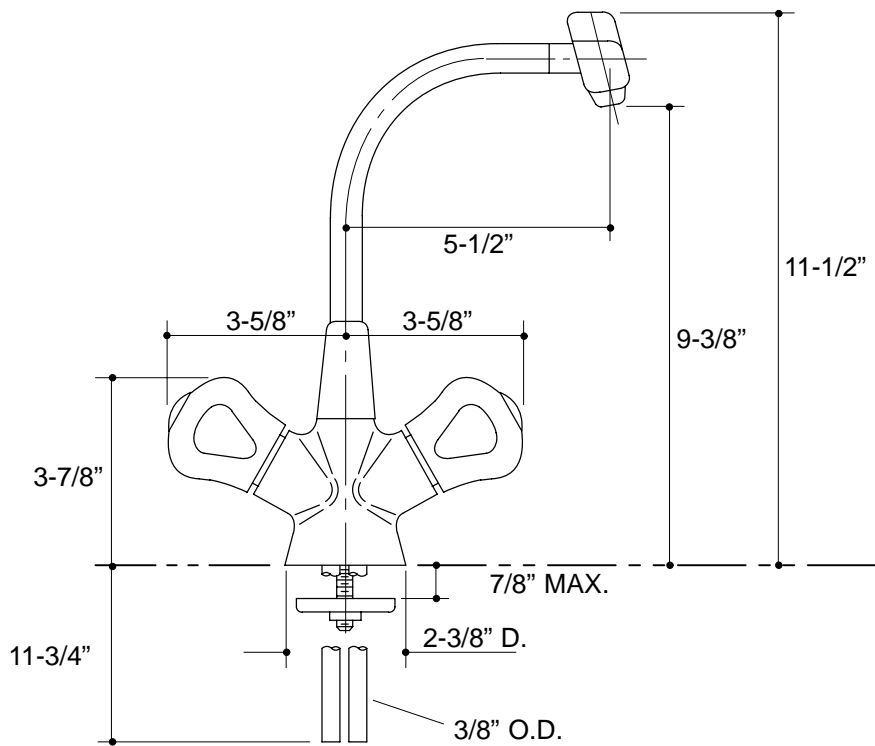
- CP Polished Chrome
- PB Polished Brass
- Other Refer to Faucets Price Book for additional finishes

**SPECIFIED MODEL:**

Model	Description	
K-15279	Coralais Bar Sink Faucet	<input type="checkbox"/> CP <input type="checkbox"/> PB <input type="checkbox"/> Other_____

**PRODUCT SPECIFICATION:**

Two-handle single-hole bar sink faucet shall be of metal construction. Faucet shall feature reversible quarter-turn washerless ceramic disc valves, assuring positive handle stop positioning. Product shall include single-hole mounting, 5-1/2" Multi-Swivel swing spout, rotating aerator, and smoked acrylic handles. Faucet shall be Kohler Model K-15279-\_\_\_\_\_.



**PRODUCT DIAGRAM**