

**BATH AND SHOWER FAUCET
K-6932
ALSO K-6995**

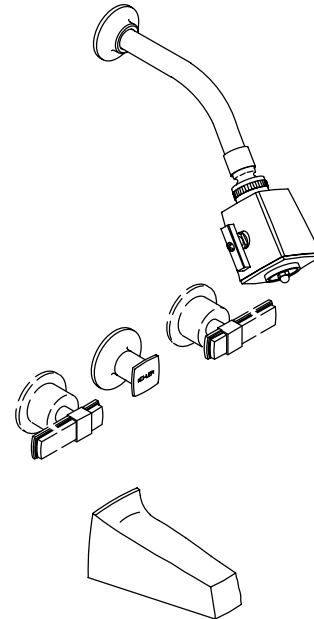
FEATURES

- Brass construction
- For 8" centers
- Brass valve bodies
- 1/2" quarter-turn washerless ceramic disc valves
- Available with square or lever handles
- Integral diverter mechanism

CODES/STANDARDS APPLICABLE

Specified model meets or exceeds the following:


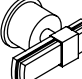
- ASME/ANSI A112.18.1M
- CSA B125
- IAPMO/UPC



COLORS/FINISHES

- CP Polished Chrome
- PB Polished Brass
- Other Refer to Faucets Price Book for additional finishes

SPECIFIED MODEL:

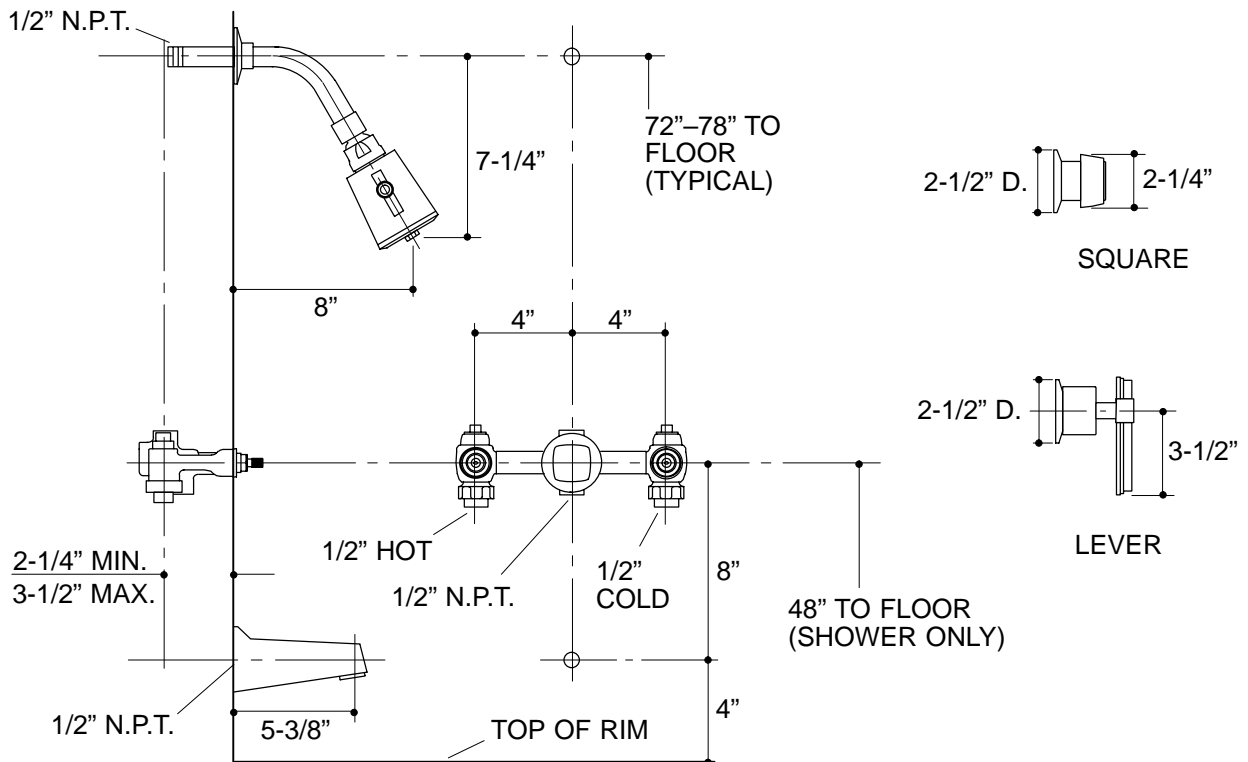
Model	Description		 ADA
K-6932-2	Bath and Shower, Square Handles	<input type="checkbox"/> CP <input type="checkbox"/> PB <input type="checkbox"/> Other_____	
K-6932-4	Bath and Shower, Lever Handles		<input type="checkbox"/> CP <input type="checkbox"/> PB <input type="checkbox"/> Other_____
K-6995-2	Valve Only, Square Handles	<input type="checkbox"/> CP <input type="checkbox"/> PB <input type="checkbox"/> Other_____	
K-6995-4	Valve Only, Lever Handles		<input type="checkbox"/> CP <input type="checkbox"/> PB <input type="checkbox"/> Other_____

Optional Accessories on Page 2.

PRODUCT SPECIFICATION:

Three-handle bath and shower faucet shall be of brass construction. Faucet shall feature brass valve bodies. Faucet shall feature 1/2" quarter-turn washerless ceramic disc valves, assuring positive handle stop positioning. Bath and shower faucet shall include showerhead with arm and flange, 5-3/8" non-diverter spout with N.P.T. connection, and integral diverter mechanism. Valve only faucet shall include handles, and integral diverter mechanism. Faucet shall be Kohler Model K-_____ - _____ - _____.

Optional Accessories					
K-9917		Large Handle Stone Inset, Single			<input type="checkbox"/> Other_____
K-9923		Large Handle Metal Inset, Single	<input type="checkbox"/> CP	<input type="checkbox"/> PB	<input type="checkbox"/> Other_____
K-9926		Large Handle Ceramic Inset, Single			<input type="checkbox"/> Other_____
K-9932		Large Handle Champleve Inset, Single			<input type="checkbox"/> Other_____
K-9970		Large Lever Metal Insets, Pair	<input type="checkbox"/> CP	<input type="checkbox"/> PB	<input type="checkbox"/> Other_____
K-9984		Large Lever Stone Insets, Pair			<input type="checkbox"/> Other_____



PRODUCT DIAGRAM