

# KOHLER® SERVICE PARTS

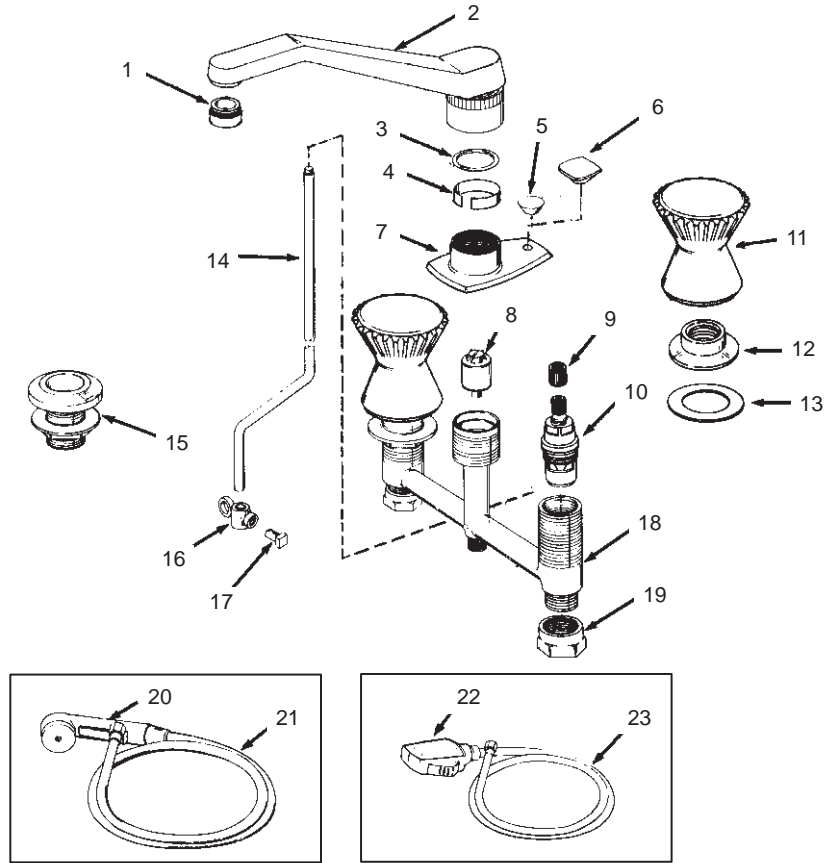
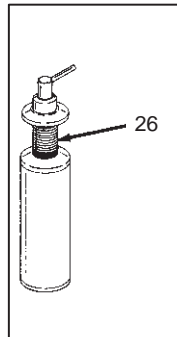
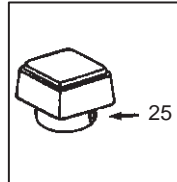
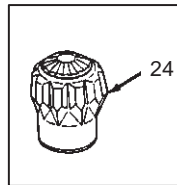
## LAVATORY FITTINGS

<b>K-6848-CV</b>	BRAVURA	LADY VANITY LAVATORY FITTING	<b>K-6962-CV</b>	ALTERNA	MAN'S LAVATORY FITTING
<b>K-6849-CV</b>	BRAVURA	ELLIPSE LAVATORY FITTING	<b>K-7449-FCV</b>	FLAIR II	LADY VANITY LAVATORY FITTING
<b>K-6850-CV</b>	BRAVURA	MAN'S LAVATORY FITTING			
<b>K-7481-FCV</b>	FLAIR II	MAN'S LAVATORY FITTING			
<b>K-6956-CV</b>	ALTERNA	LADY VANITY LAVATORY FITTING			
<b>K-6961-CV</b>	ALTERNA	ELLIPSE LAVATORY FITTING			

ORDER BY KIT NUMBER OR PART NUMBER, NOT ITEM NUMBER OR KIT LETTER.

### Ordering Options

Item	Part No. or Kit
1	30072‡
1, 2	41308‡
3	29464
4	41495
5	35764‡**
6	29700‡**
7	41309‡
8	43262
9	A
10	B
11	C
12	D or E
13	39924
14	41315‡
15	34329‡
16, 17	F
18	*
19	G
20	41325‡, H
21	38614, H
22	41380‡, I
23	38614, I
24	J
25	K
26	L



### Kit Ordering Information

Kit	Kit Part No.	Kit Name	Kit Contents
A	48502	Spline Adapter Kit	2 ea., Item 9
B	30430	Ceramic Valve	1 ea., Item 10
C	106890§■	Bravura Handle Options	See INDEX.
D	40455‡	Bravura Escutcheon	1 ea., Item 12
E	21609‡	Alterna, Flair Escutcheon	1 ea., Item 12
F	30235	Link Kit	1 ea., Items 16 and 17
G	30230	Coupling Nut Kit	2 ea., Item 19
H	41310‡	Hose And Spray	1 ea., Items 20 and 21
I	41379‡	Hose And Spray	1 ea., Items 22 and 23
J	106229§■	Flair Handle Options	See INDEX.
K	106478§■	Alterna Handle Options	See INDEX.
L	K-9610‡■	Soap Dispenser	See INDEX.

### KITS MAY INCLUDE EXTRA PARTS

#### NOTES:

- \* Not available as a service part.
- \*\* Round knob—Bravura & Flair.  
Square knob—Alterna.  
For pop-up drain see K-7701.

#### LEGEND:

- ‡ Specify Finish.
- § Reference Number Only.
- Parts further exploded in catalog; see INDEX.