

KOHLER® SERVICE PARTS

LAVATORY FITTINGS

K-15181

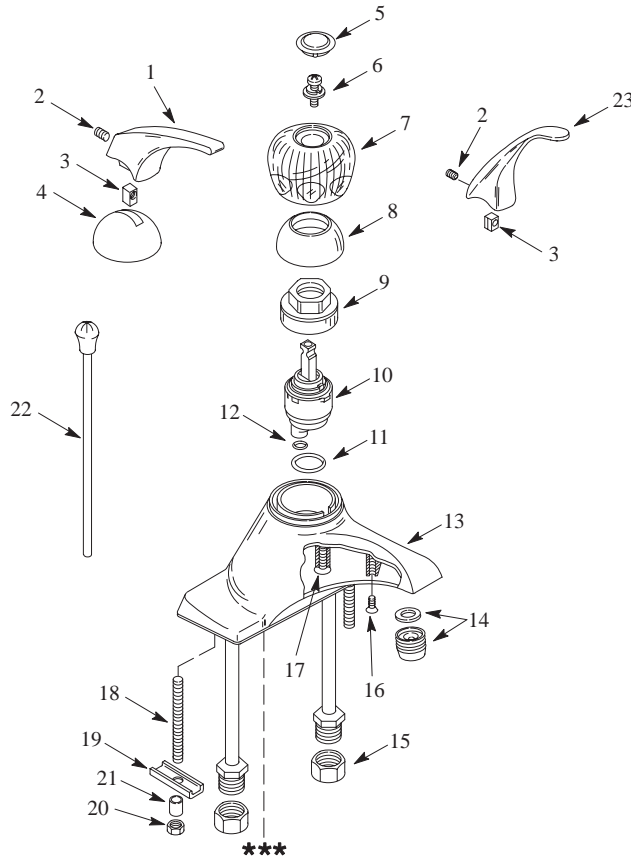
CORALAIS

LAVATORY FAUCET

ORDER BY KIT NUMBER OR PART NUMBER, NOT ITEM NUMBER OR KIT LETTER.

Ordering Options

Item	Part No. or Kit
1	A
2	71617, A
3	71609, A
4	H
5	30415, B
6	71508, B
7	B
8	I
9	71509
10	C, D
11, 12 D	
13	*
14	E or F
15	32751
16	71552
17	71018
18	42345
19, 20, 21	G
22	J, K
23	L



Kit Ordering Information

Kit	Kit Part No.	Kit Name	Kit Contents
A	30414 ‡ **	Lever Handle Kit	1 ea., items 1, 2, and 3
B	30416**	Knob Handle Kit	1 ea., items 5, 6, and 7
C	30413	Valve Kit	1 ea., items 10 and 11; 2 ea., item 12
D	71541	Valve Service Kit	1 ea., item 11; 2 ea., item 12
E	40106 ‡	Aerator	1 ea., item 14
F	53109	Aerator (Vandal Proof)	1 ea., item 14
G	71507	Mounting Hardware	2 ea., items 19, 20, and 21
H	71667 ‡	Cap (Lever Handle)	1 ea., item 4
I	500353 ‡	Cap (Knob Handle)	1 ea., item 8
J	70341	Lift Rod	1 ea., item 22
K	70342 ‡	Lift Rod (Polished Brass and Colors)	1 ea., item 22
L	30423 ‡	Long Lever Handle Kit	1 ea., items 2, 3, and 23

KITS MAY INCLUDE EXTRA PARTS

NOTES:

- Other products using same parts: K-15185 K-15192 K-15199 K-15191 K-15198 K-15583 K-15182
- * Not available as a service part.
- ** Lever and knob handles not directly interchangeable.
- *** For pop-up drain, see Pages 2-47 and 2-35 (colors).

LEGEND:

- ‡ Specify finish.