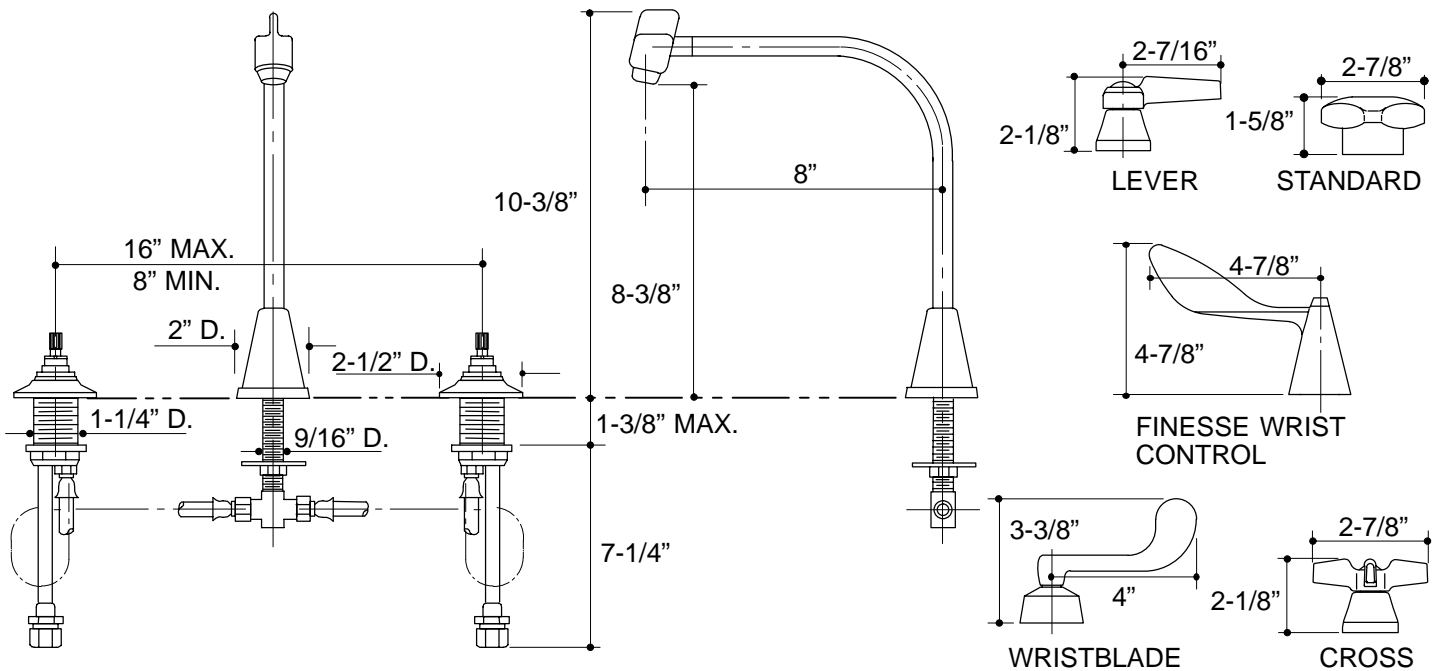


Ordering Information

Applicable faucet:	
Base faucet with spout*	K-7776-K
Handles:	
Triton standard handles	K-16012-2
Triton cross handles	K-16012-3
Triton lever handles	K-16012-4
Triton wristblade lever handles	K-16012-5
Finesse wrist control lever handles	K-16022-5
*Handles must be ordered to complete faucet.	
ADA Lever and cross handles are ADA compliant	



316

K-7776-K Triton™/Finesse™ Kitchen Sink Faucet
107109-1-BA (-)

KOHLER®

NOTES: