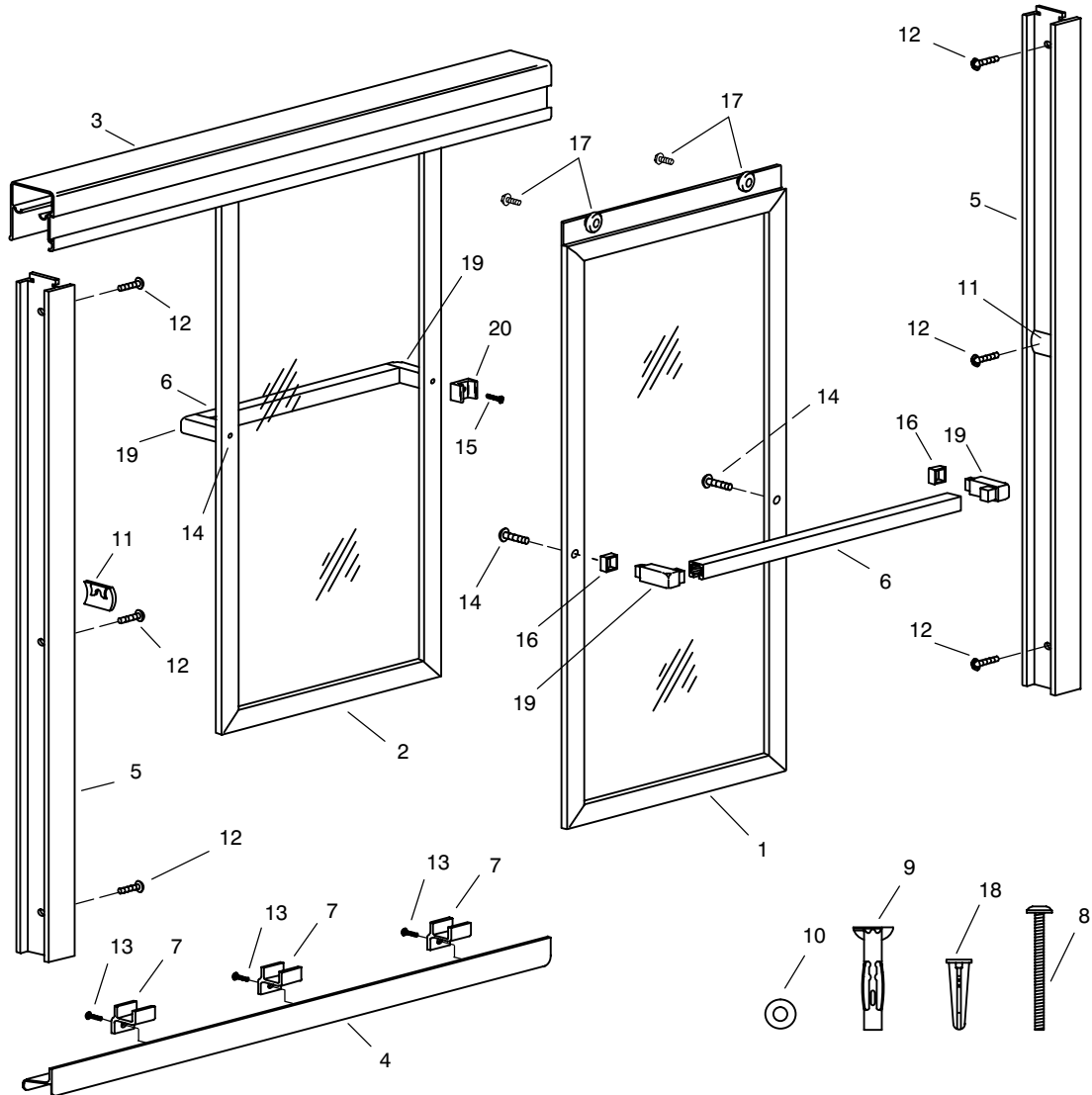


# KOHLER<sup>®</sup> SERVICE PARTS

## GLASSWORKS™ BYPASS SHOWER DOOR K-9877-\*-AB



### SERVICE PARTS

ITEM NO.	PART NO.	DESCRIPTION
1	90124	Glass Panel (Front)
2	90137	Glass Panel (Back)
3	90076	Header
4	90151	Bypass Curb
5	90084	Wall Jamb
6	90077	Towel Bar
7	56186	Bypass Guide
8	62223	Screw, #6-32 x 1-1/2"
9	62224	Hollow Wall Anchor
10	62225	Flat Washer, #6
11	62687	Framed Bypass Bumper
12	62723	Screw, #8 x 1-1/2"
13	62726	Screw, #6 x 3/8"
14	62729	Screw, #10-24 x 7/8"
15	62730	Screw, #10-24 x 1-1/8"
16	62734	Trim Ring
17	62940	Roller with Screw
18	66646	Plastic Wall Plug
19	67428	Towel Bar End Bracket
20	62691	Bypass Stop

### SERVICE KITS

PART NO.	ITEM NO.	QTY.	DESCRIPTION
62343			Towel Bar Accessory Pack
	20	1 ea.	Bypass Stop
	19	4 ea.	Towel Bar End Bracket
90150			Hardware Pack
	7	3 ea.	Bypass Guide
	8	7 ea.	Screw, #6-32 x 1-1/2"
	9	7 ea.	Hollow Wall Anchor
	10	7 ea.	Flat Washer, #6
	11	2 ea.	Framed Bypass Bumper
	12	6 ea.	Screw, #8 x 1-1/2"
	13	3 ea.	Screw, #6 x 3/8"
	14	3 ea.	Screw, #10-24 x 7/8"
	15	1 ea.	Screw, #10-24 x 1-1/8"
	16	4 ea.	Trim Ring
	17	4 ea.	Roller with Screw
	18	7 ea.	Plastic Wall Plug

Variation and/or finish/color code may be required when ordering.