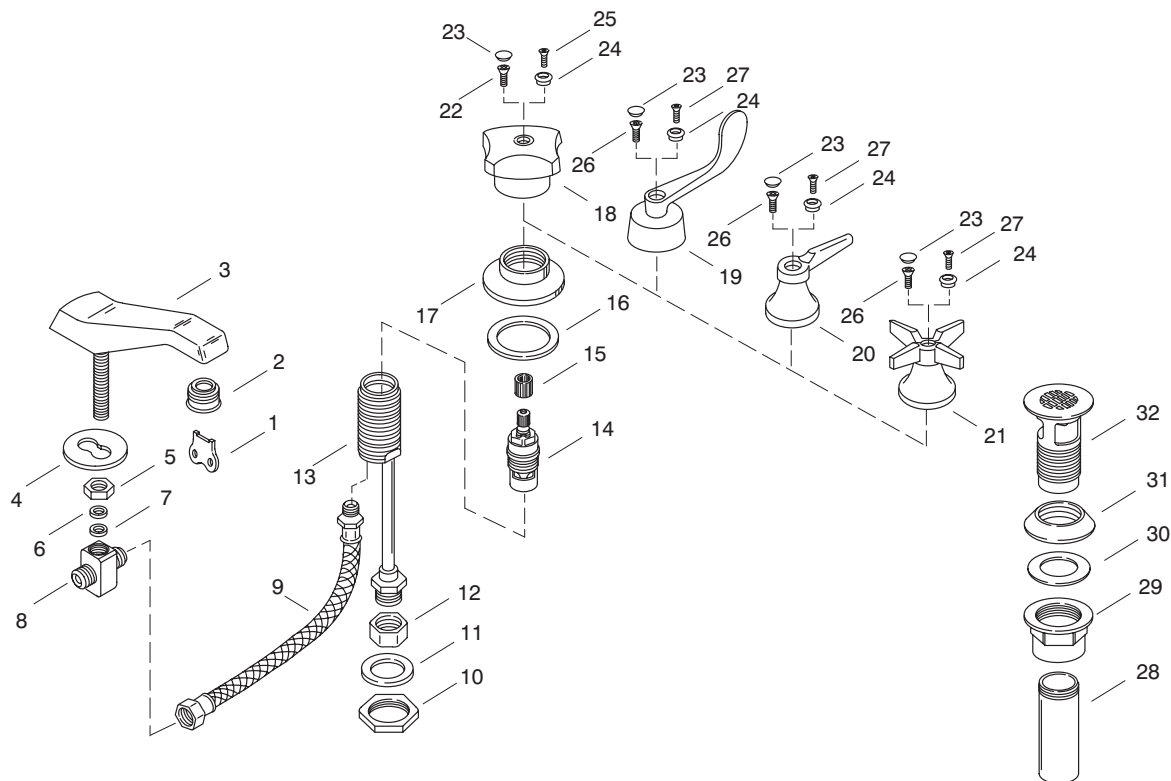


KOHLER[®] SERVICE PARTS

TRITON™ LAVATORY FAUCET
K-7472-**-**-AA



SERVICE PARTS

ITEM NO.	PART NO.	DESCRIPTION
1	21999	Wrench, VP
2	30074	Aerator, Widespread
	55008	Aerator, 1.5 GPM, V-R
	50327	Spray Assembly, .5 GPM V-R
	50325	Aerator Assembly, V-R
3	57824	Spout Assembly
4	40015	Washer, Special
5	40014	Nut, .75-18 NPSM
6	40013	Gasket, .250 ID x .460 OD
7	40097	Washer, .281 ID x .460 OD
8	40098	Supply Tee
9	40008	Hose, 1/4-18 NPT x 16 1/2
10	40005	Nut, 1.25-20 UNS-2B
11	40001	Washer, 1 9/32 ID x 1 3/4 OD
12	32751	Nut, .5-14 NPSM
13		Available in Service Kit Only
14	30430	Ceramic Valve (Clockwise Close)
	30431	Ceramic Valve (Counterclockwise Close)
15	59027	Spline Adapter
	42685	Spline Adapter (for Wristblade)
16	34037	Gasket, 1 1/2 x 2 3/16
17	40000	Escutcheon
18	52644	Handle Assembly (Standard Handle)
19	52926	Wristblade Handle Assembly
20	52637	Lever Handle, Large Bonnet Assembly
21	52640	4 Prong Handle & Bonnet Assembly
22	56074	Screw, .164-32 UNC x .31
23	52622	Button Cap
24	52623-C	Button Cap, Blue
	52623-H	Button Cap, Red

ITEM NO.	PART NO.	DESCRIPTION
25	58891-S	Screw, 8-32 x .51
26	31490	Screw, .164-32 UNC-2A x .50
27	58892-S	Screw, 8-32 x .67
28	41640	Tailpiece, 4 1/4 Long
29	33881	Nut, 1.5-16 UNS-2B
30	34043	Washer, 1 17/32 x 2 1/8
31	33507	Gasket, 1.515 Beveled
32	35848	Strainer Body

SERVICE KITS

PART NO.	ITEM NO.	QTY.	DESCRIPTION
40036			Tee, Nut & Washer Assembly
	4	1 ea.	Washer, Special
	5	1 ea.	Nut, .75-18 NPSM
	6	1 ea.	Gasket, .250 ID x .460 OD
	7	1 ea.	Washer, .281 ID x .460 OD
	8	1 ea.	Supply Tee
40037			Nut & Washer Subassembly
	10	2 ea.	Nut, 1.25-20 UNS-2B
	11	2 ea.	Washer, 1 9/32 ID x 1 3/4 OD
40478			End Valve Assembly - Cold
	12	1 ea.	Nut, .5-14 NPSM
	13	1 ea.	End Valve Body Assembly/Bonnet
	14	1 ea.	Ceramic Valve (Counterclockwise Close)
40409			End Valve Assembly - Hot
	12	1 ea.	Nut, .5-14 NPSM
	13	1 ea.	End Valve Body Assembly/Bonnet
	14	1 ea.	Ceramic Valve (Clockwise Close)

Variation and/or finish/color code may be required when ordering.