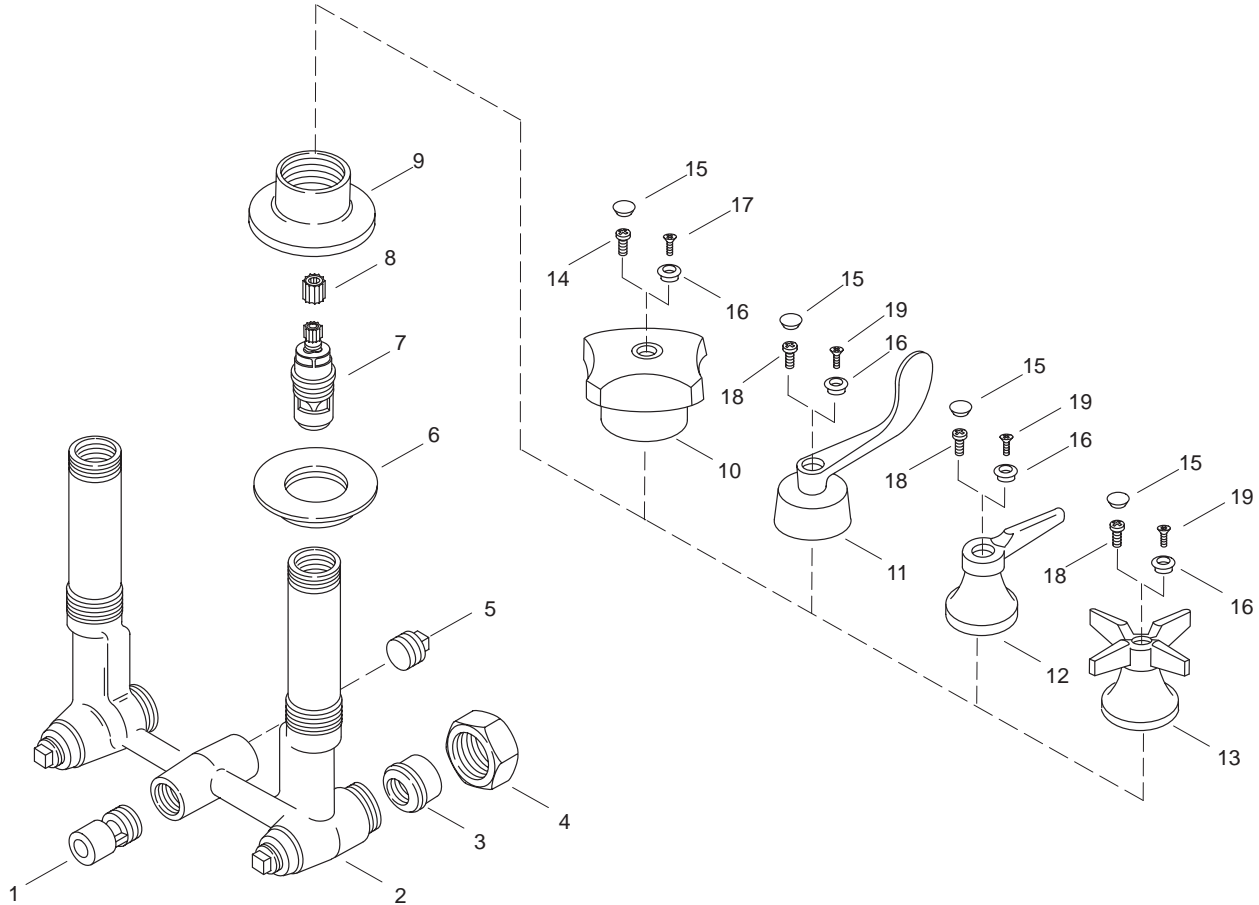


KOHLER[®] SERVICE PARTS

TRITON™ DECK-MOUNT BATH FAUCET
K-7030-**-**-AA



SERVICE PARTS

ITEM NO.	PART NO.	DESCRIPTION
1	20421	Aspirator (Optional)
2	40402	Yoke Assembly
3	24015	Union Joint (1/2" I.P.)
	24899	Union Connection (5/8" O.D.)
4	24003	Nut, 1.25-14 NS-2B
5	34191	Plug, 1/2 IPS
6	23077	Nut, 1.5-16 UNS-2B
7	30430	Ceramic Valve (Clockwise Close)
	30431	Ceramic Valve (Counterclockwise Close)
8	59027	Spline Adapter
	42685	Spline Adapter (for Wristblade)
9	22904	Escutcheon
10	52644	Handle Assembly (Standard)
11	52926	Wristblade Handle Assembly
12	52638	Lever Handle and Bonnet Assembly
13	52641	4-Prong Handle & Bonnet Assembly
14	56074	Screw, .164-32 UNC x .31
15	52622	Button Cap
16	52623-H	Button Cap, Red
	52623-C	Button Cap, Blue
17	58891-S	Screw, 8-32 x .51
18	31490	Screw, .164-32 UNC-2A x .50
19	58892-S	Screw, 8-32 x .67

Variation and/or finish/color code may be required when ordering.