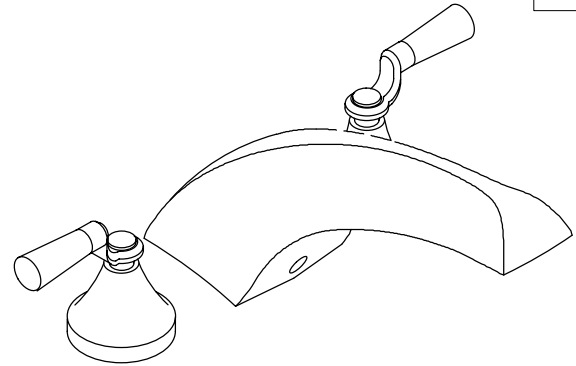


**BATH FAUCET TRIM**  
**K-T6222-4**  
**ALSO K-300-K**

**FEATURES**

- Brass construction
- Deck-mount
- Cast brass 8-5/8" Roman non-diverter spout with slip-fit connection
- Lever handles with clear acrylic inserts

ADA



**CODES/STANDARDS APPLICABLE**

Specified model meets or exceeds the following:

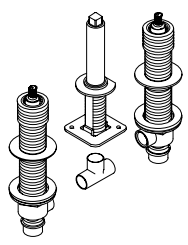
- ASME/ANSI A112.18.1M
- IAPMO/UPC

**COLORS/FINISHES**

- CP Polished Chrome
- PB Polished Brass

**SPECIFIED MODEL:** For complete faucet, both faucet trim and valve system must be specified.

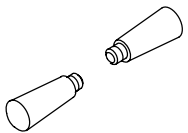
Model	Description		
K-T6222-4	Flair Deck-Mount Bath Faucet Trim	<input type="checkbox"/> CP	<input type="checkbox"/> PB

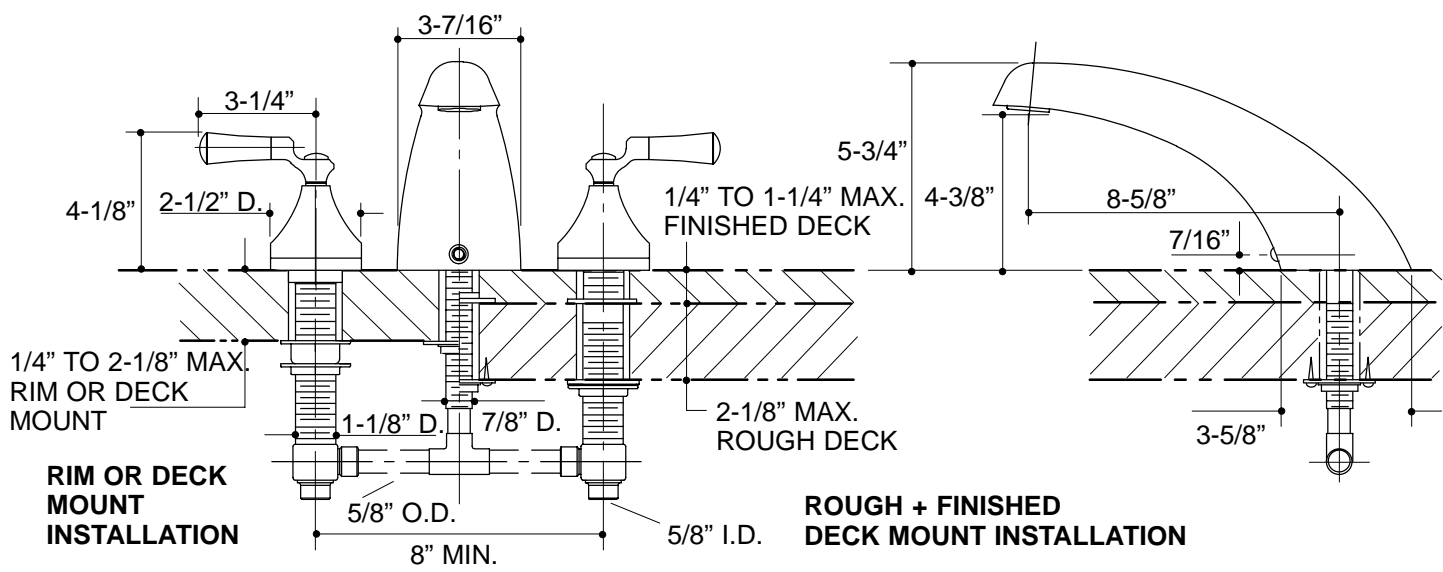
<b>Required Accessory</b>		
K-300-K	1/2" High-Flow Ceramic Disc Valve System	<input type="checkbox"/> NA

Optional Accessory on Page 2.

**PRODUCT SPECIFICATION:**

Two-handle deck-mount bath faucet trim shall be of brass construction. Product shall include cast brass 8-5/8" Roman non-diverter spout with slip-fit connection, and lever handles with clear acrylic inserts. Faucet trim shall be Kohler Model K-T6222-4-\_\_\_\_\_ and valve system shall be Kohler Model K-300-K-NA.

<b>Optional Accessory</b>				
K-7266	Lever Handle Inserts, Pair	<input type="checkbox"/> CP	<input type="checkbox"/> PB	<input type="checkbox"/> Other _____



**PRODUCT DIAGRAM**